

MODEL : LBH-1790 SERIES

List No : 1346-10

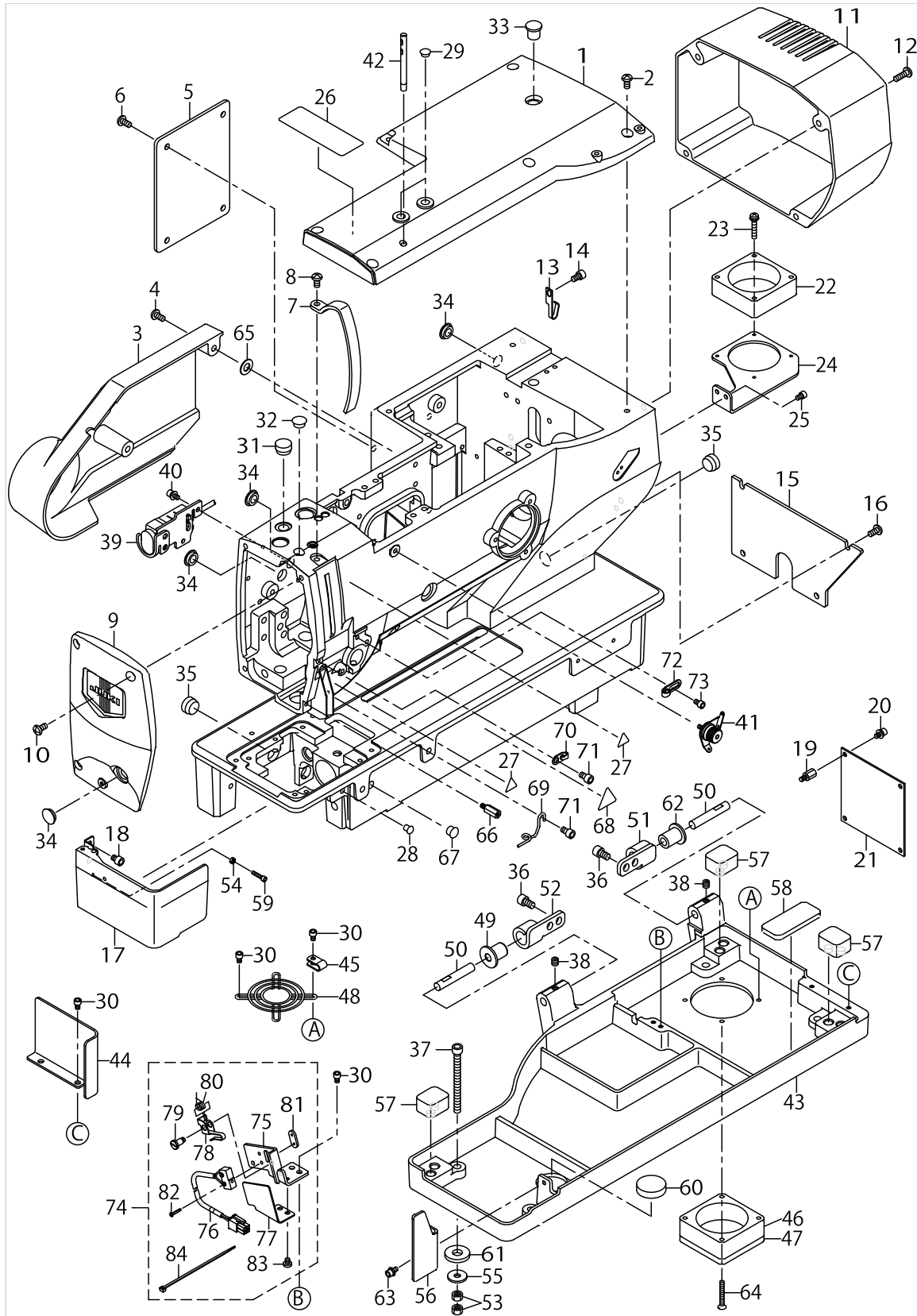
PARTS LIST

Published:09/22/2017

CONTENTS

FRAME & MISCELLANEOUS COVER COMPONENTS (1)	1
FRAME & MISCELLANEOUS COVER COMPONENTS (2)	5
MAIN SHAFT COMPONENTS	9
HOOK DRIVING SHAFT COMPONENTS	13
PRESSER & FEED COMPONENTS (FOR LBH-1790S, LBH-1792S)	15
PRESSER & FEED COMPONENTS (FOR LBH-1795S)	19
NEEDLE BAR ROCKING COMPONENTS	21
NEEDLE THREAD TRIMMER COMPONENTS	23
BOBBIN THREAD TRIMMER COMPONENTS	27
CLOTH CUTTING KNIFE COMPONENTS	31
TABLE COMPONENTS	33
CONTROL BOX COMPONENTS	37
OPERATION BOX COMPONENTS	41
OPERATION PANEL COMPONENTS	43
WIRING DIAGRAM	45
ACCESSORIE PARTS COMPONENTS	49
THREAD STAND COMPONENTS	51
SPECIAL SPECIFICATIONS COMPONENTS (1)	53
SPECIAL SPECIFICATIONS COMPONENTS (2)	55
EXCHANGING PARTS	57
LIST FOR INFORMATION OF CHANGE	59
HOW TO MAKE USE OF THIS PARTS LIST	60

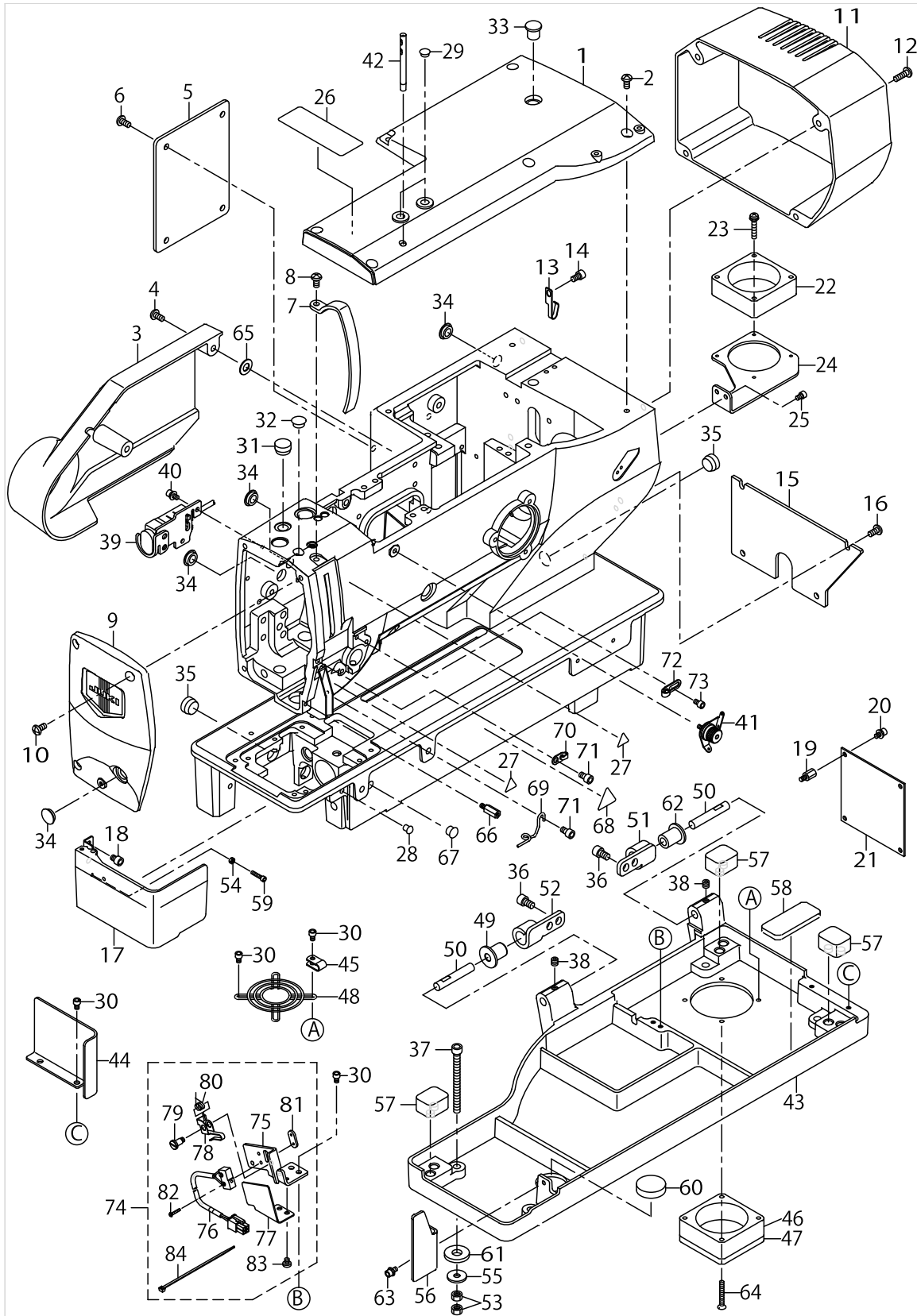
FRAME & MISCELLANEOUS COVER COMPONENTS (1)



FRAME & MISCELLANEOUS COVER COMPONENTS (1)

No.	Parts No.	Parts name	Remarks	Level	Cons	Qty
1	40004153	UPPER_COVER				1
2	SM4051055SP	SCREW				6
3	40004154	LEFT_COVER				1
4	SM4051055SP	SCREW				2
5	40004155	LEFT_COVER_B				1
6	SM4051055SP	SCREW				4
7	40004157	THREAD_TAKE_UP_LEVER_COVER				1
8	SM4051055SP	SCREW				1
9	40004156	FRONT_COVER				1
10	SM4051055SP	SCREW				3
11	40004159	MOTOR_COVER				1
12	SM4051655SP	SCREW M5 L=16				4
13	26230409	LUBRICATING OIL WICK STOPPER				1
14	SM6050802TP	SCREW M5X0.8 L=8				1
15	40004161	REAR_COVER				1
16	SM4051055SP	SCREW				4
17	13900956	HOOK OIL SHIELD COVER COMPL.				1
18	SM6050652TP	HEXAGON SOCKET HEAD SCREW M5X6				2
19	HX003390000	STUD				4
20	SL6040892TN	SCREW				4
21	40122600	INT PCB ASSY				1
22	40119461	HEAD FAN MOTOR A ASSY				1
23	SL4042581SC	SCREW				2
24	40004367	FAN_FITTING_PLATE				1
25	SM6040602TP	SCREW M4 L=6				2
26	CM301300001	SAFETY LABEL				1
27	CM300200001	ATTENTION SEAL				2
28	TA0550604R0	RUBBER PLUG				1
29	TA0750404R0	PLUG D=7.5 L=3.5				2
30	SM6040602TP	SCREW M4 L=6				6
31	TA1550902R0	PLUG				1
32	TA1050504R0	RUBBER PLUG				1
33	TA1120804R0	RUBBER PLUG				1
34	TA1250406R0	RUBBER PLUG D=12.5 L=4				4
35	TA1550902R0	PLUG				2
36	SM6061002TP	SCREW M6 L=10	ACCESSORIE PARTS			4
37	SM6067052TP	HEXAGON BOLT				1
38	SM80606A2TP	SCREW M6 L=6				2
39	32002354	SWITCH ASM.				1
40	SL6040892TN	SCREW				2
41	22528764	PRE-TENSION CONTROLLER ASM.				1
42	22502504	THREAD GUIDE BAR	ACCESSORIE PARTS			1
43	40004158	BED_BASE				1
44	40004160	BED_REAR_COVER				1
45	HX00150000A	CABLE CLAMP				1
46	40005403	HEAD FAN MOTOR B ASS'Y				1
47	HM000550010	FILTER				1

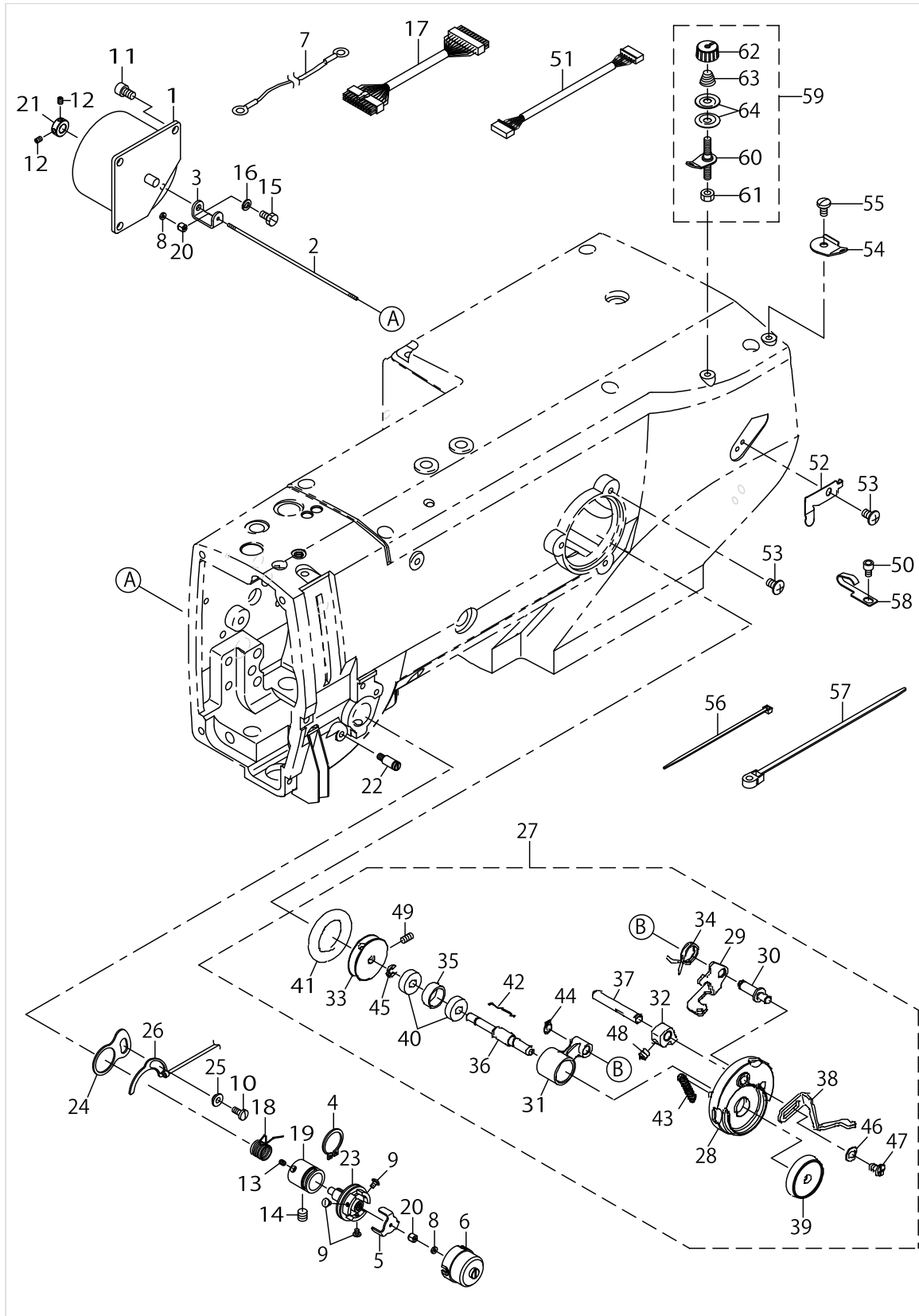
FRAME & MISCELLANEOUS COVER COMPONENTS (1)



FRAME & MISCELLANEOUS COVER COMPONENTS (1)

No.	Parts No.	Parts name	Remarks	Level	Cons	Qty
48	HM0003800A0	FINGER GUARD				1
49	40006314	HINGE_BUSH	ACCESSORIE PARTS			1
50	13700604	HINGE PIN				2
51	13700406	HINGE PLATE A	ACCESSORIE PARTS			1
52	13700505	HINGE PLATE B	ACCESSORIE PARTS			1
53	NM6060001SD	NUT M6				2
54	NM6030001SD	NUT M3X0.5				1
55	WP0612056SD	WASHER 6.1X18.5X2				1
56	13943303	OIL SHIELD	ACCESSORIE PARTS			1
57	40008977	RUBBER C				3
58	40008978	RUBBER D				1
59	SM6031402TP	SCREW				1
60	E2002855000	Z STOPPER RUBBER				1
61	D6056555B00	RUBBER CUSHION (B)				1
62	13700703	RUBBER HINGE	ACCESSORIE PARTS			1
63	SL6040892TN	SCREW	ACCESSORIE PARTS			1
64	SM1043001SP	SCREW M4X0.7 L=30				2
65	B1116804000	CLOTH PLATE WASHER				2
66	E3724715000	VCS STUD A				1
67	TA0850604R0	RUBBER PLUG				1
68	CM300200003	ATTENTION LABEL				1
69	13705405	NEEDLE BAR THREAD GUIDE				1
70	13922208	TAKE-UP THREAD GUIDE B				1
71	SM6050802TP	SCREW M5X0.8 L=8				2
72	40009037	TAKE-UP THREAD GUIDE A				1
73	SM6040602TP	SCREW M4 L=6				1
74	40003495	SAFETY SWITCH ASS'Y				1
75	14516603	SAFETY SW BASE		*		1
76	40003496	SAFETY SWITCH CORD ASS'Y		*		1
77	14516900	SAFETY SWITCH COVER		*		1
78	23638109	SAFETY SWITCH ARM		*		1
79	23638307	SAFETY SWITCH ARM SHAFT		*		1
80	23638208	SAFETY SWITCH SPRING		*		1
81	23638406	SAFETY SWITCH NUT		*		1
82	SM4021201SC	SCREW M2 L=12		*		2
83	SS7090520SP	SCREW 9/64-40 L=4.5		*		2
84	EA9500B0100	CABLE BAND		*		1

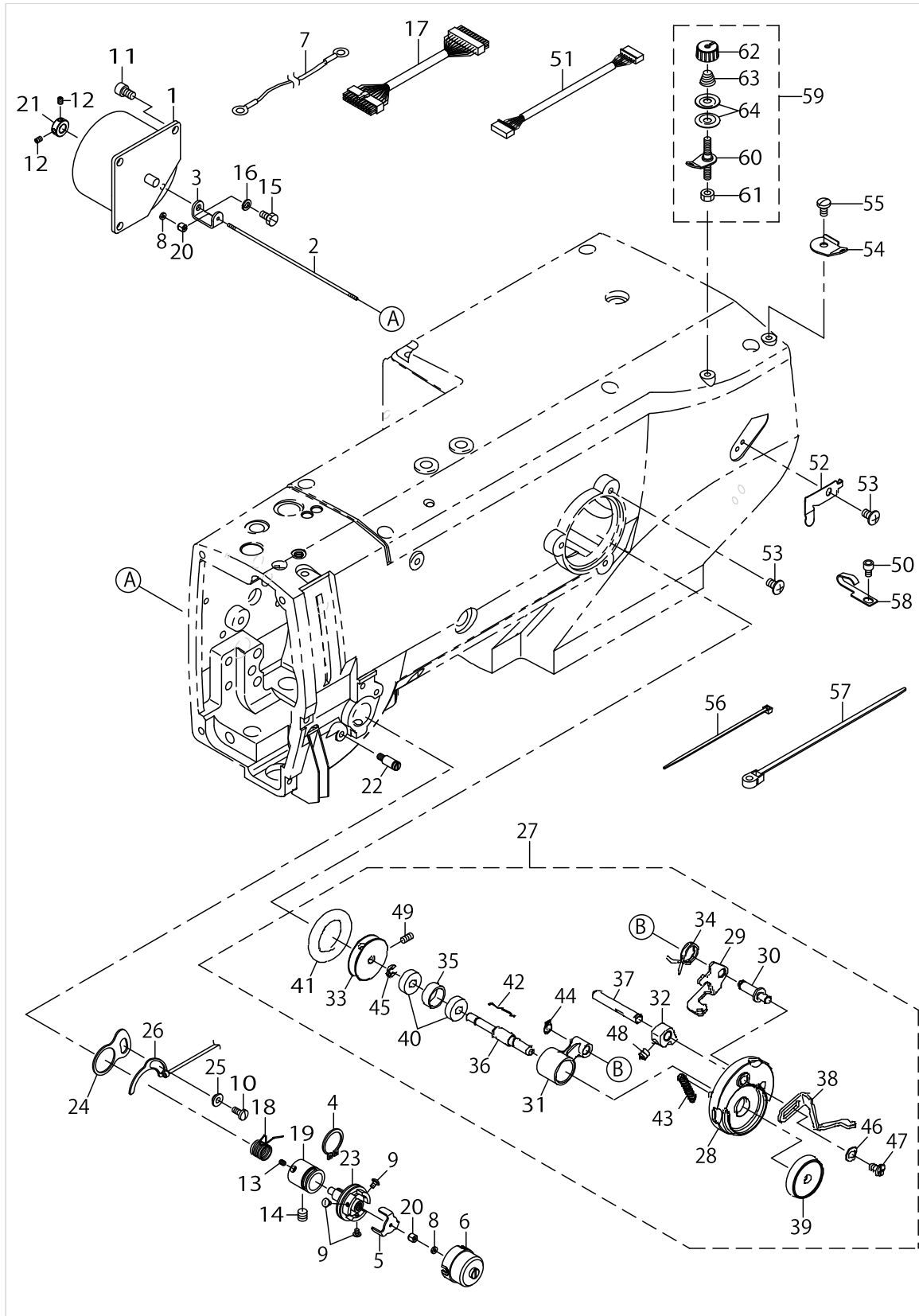
FRAME & MISCELLANEOUS COVER COMPONENTS (2)



FRAME & MISCELLANEOUS COVER COMPONENTS (2)

No.	Parts No.	Parts name	Remarks	Level	Cons	Qty
1	40006261	ASSY_AT_SOLENOID				1
2	40006263	AT_SHAFT				1
3	40006264	AT_SHAFT_HOLDER				1
4	RC1700001KP	RETAINING RING				1
5	40010514	DISK_STOPPER				1
6	40010511	DISK_STOPPER_HOLDER_CAP				1
7	M90195800A0	EARTH CABLE ASM.				1
8	40010522	SHAFT_NUT				2
9	SM0860400SN	SCREW				3
10	SM6040860TP	SCREW M4 L=8				1
11	SM6050802TP	SCREW M5X0.8 L=8				3
12	SM8030412TP	SCREW				2
13	SM8030412TP	SCREW				1
14	SM80606A2TP	SCREW M6 L=6				1
15	SM9040800SP	SCREW				1
16	WS0410002KP	SPRING WASHER				1
17	40005397	MAIN-INT CORD A ASS'Y				1
18	10006104	TAKE-UP SPRING				1
19	40010510	THREAD_TENSION_POST_BASE				1
20	40010512	THREAD_TENSION_SHAFT_COLLAR				2
21	32055402	THRUST COLLAR				1
22	40004252	UTT_SUSPENSION_SCREW_9				1
23	40006265	ASSY_THREAD_TENSION_POST				1
24	B2702210000	GUIDE PLATE				1
25	B2703210000	BUSHING				1
26	40003499	THREAD BREAK DETECTOR A				1
27	40011143	ASSY_BTW				1
28	26260109	BTW_BASE		*		1
29	26260208	BTW_CAM_PLATE		*		1
30	26260307	BTW_BASE_SHAFT		*		1
31	26260406	BTW_SHAFT_BASE		*		1
32	26260505	BTW_CAM_LEVER		*		1
33	26260604	BTW_WHEEL		*		1
34	40011144	BTW_TORSION_SPRING		*		1
35	26260802	BTW_BEARING_SPACER		*		1
36	40011145	BTW_SHAFT		*		1
37	40011146	BTW_LEVER_SHAFT		*		1
38	40021933	BTW_LEVER		*		1
39	26261206	BTW_SPACER		*		1
40	26261305	BTW_BEARING		*		2
41	26261503	BTW_WHEEL_RUBBER		*		1
42	26261602	BOBBIN_SPRING		*		1
43	26261701	BTW_SPRING		*		1
44	RC0560711KP	RETAINING RING		*		1
45	RE0400000K0	E-RING 4		*		1
46	WP0450826SC	WASHER 4.5X10X0.8		*		1
47	SM5040655SN	SCREW		*		1

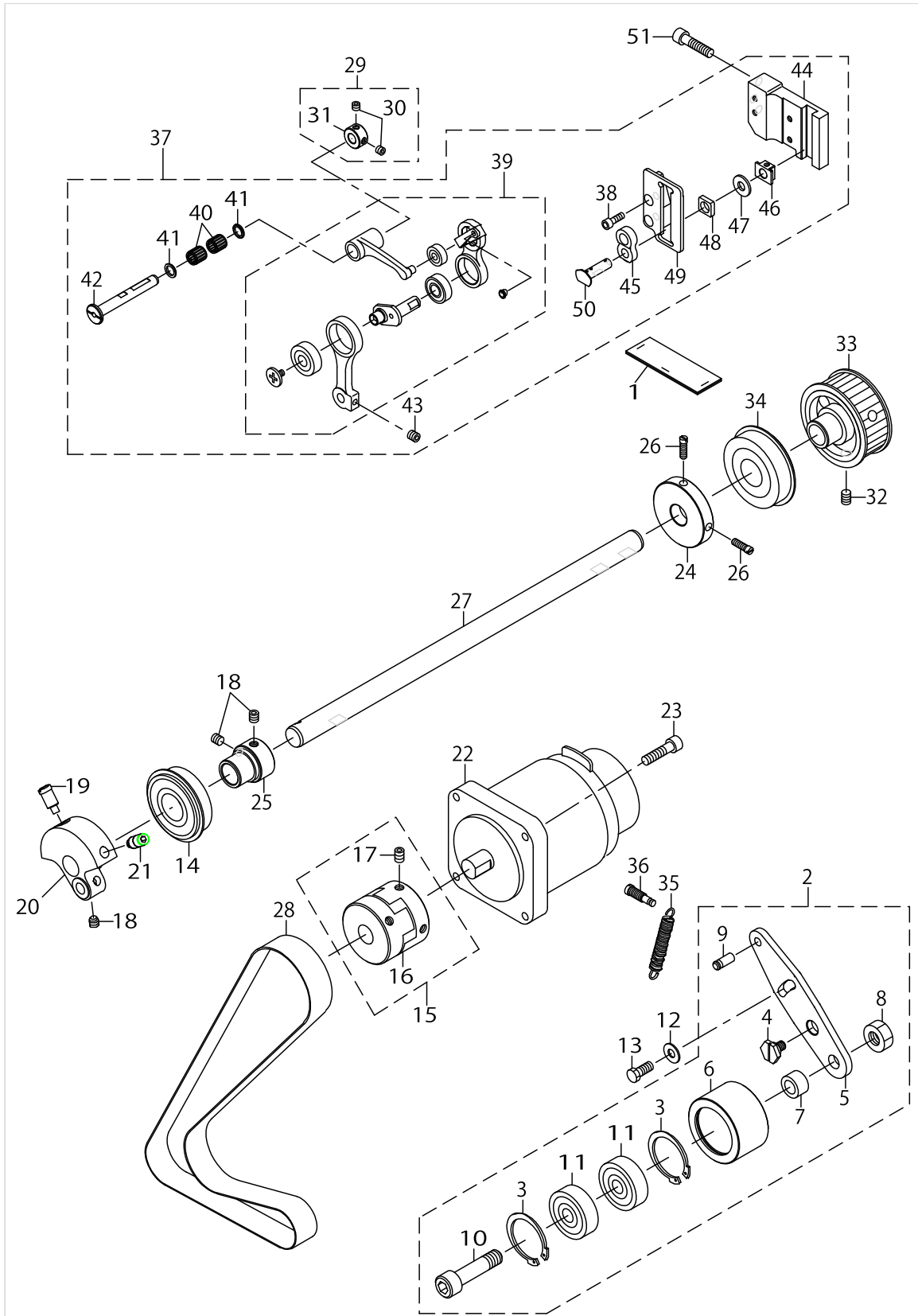
FRAME & MISCELLANEOUS COVER COMPONENTS (2)



FRAME & MISCELLANEOUS COVER COMPONENTS (2)

No.	Parts No.	Parts name	Remarks	Level	Cons	Qty
48	SM8050502TP	SCREW M5 L=5		*		1
49	SM8040802TP	SCREW M4X8		*		2
50	SM6040602TP	SCREW M4 L=6				3
51	40005399	MAIN-INT CORD D ASS'Y				1
52	40037008	THREAD_CUTTER				1
53	SM0050801SC	SCREW				4
54	D3162555B00	THREAD GUIDE				1
55	SS7110840SP	SCREW 11/64-40 L=7.8				1
56	EA9500B0100	CABLE BAND				10
57	HX00151000A	CABLE BAND				2
58	26230409	LUBRICATING OIL WICK STOPPER				3
59	22529481	BOBBIN THREAD TENSION ASM.				1
60	22529473	BOBBIN THREAD TENSION ROD ASM.		*		1
61	NS6110310SP	NUT 11/64-40		*		1
62	11072402	THREAD TENSION NUT		*		1
63	11093606	THREAD TENSION SPRING		*		1
64	B3214047000	BOBBIN WINDER TENSION DISC		*		2

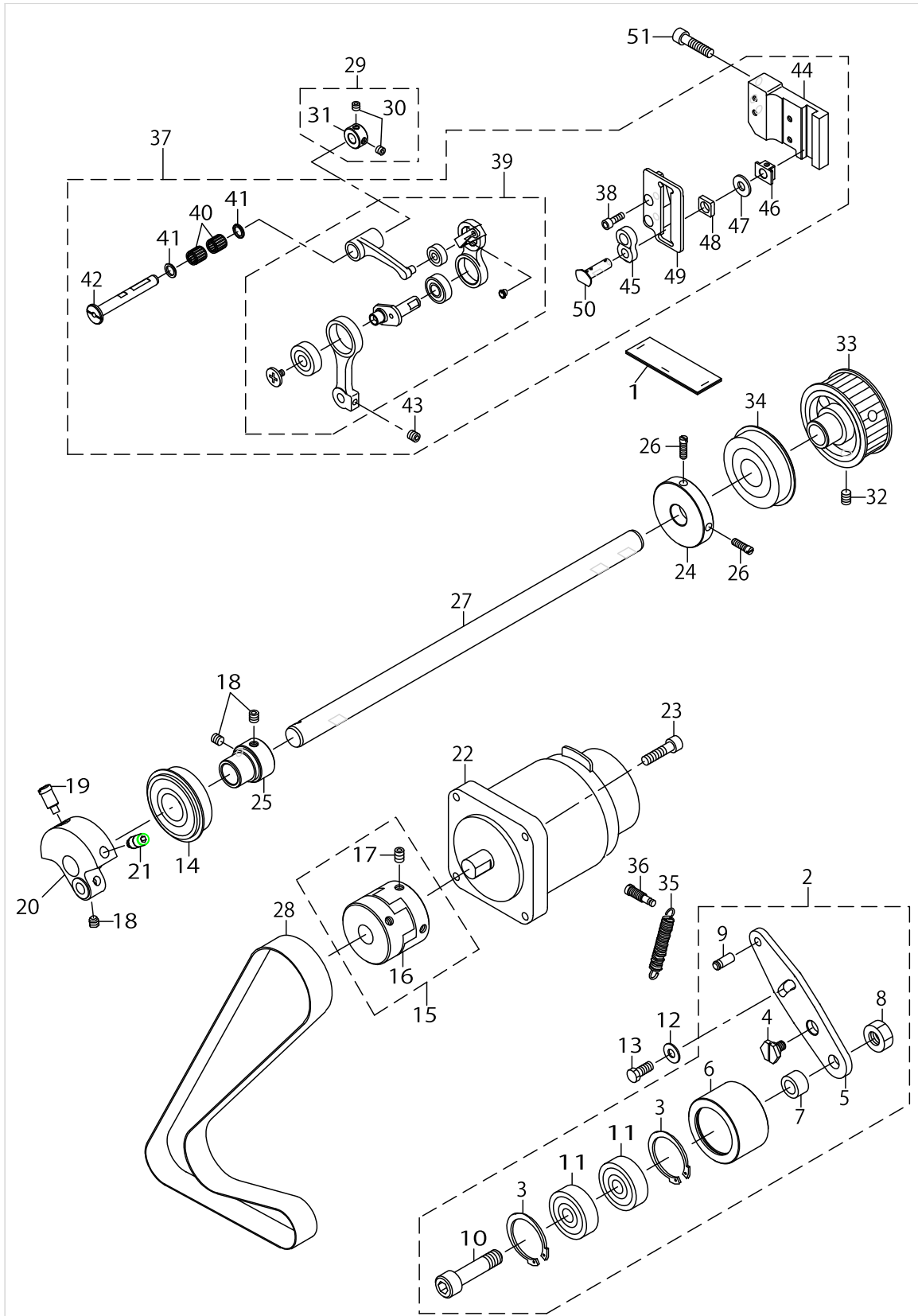
MAIN SHAFT COMPONENTS



MAIN SHAFT COMPONENTS

No.	Parts No.	Parts name	Remarks	Level	Cons	Qty
1	40011517	NEEDLE_BAR_CRANK_FELT				1
2	40004182	IDLER_ASM.				1
3	RC3781518KP	RETAINING RING		*		2
4	40004185	HINGE_SCREW		*		1
5	40004184	IDLER_FIXED_PLATE		*		1
6	40004183	IDLER_PULLEY		*		1
7	13710504	INTERMEDIATE SPROCKET WASHER		*		1
8	NM6100001SD	NUT M10		*		1
9	11050804	FEED LEVER SPRING HOOK		*		1
10	SM6104352TP	SCREW M10 L=42.5		*		1
11	SB110000700	BALL BEARING		*		2
12	WP0621046SP	WASHER				1
13	SM9061403CP	SCREW M6 L=14				1
14	SB120002700	BEARING				1
15	40051473	COUPLING_ASM.				1
16	40051474	COUPLING		*		1
17	SM80608A2TP	SCREW M6 L=8		*		4
18	SM80606A2TP	SCREW M6 L=6				4
19	40004171	COUNTER_WEIGHT_SCREW				1
20	40004170	COUNTER_WEIGHT				1
21	SM8081652TP	SCREW M8 L=16				1
22	40028015	AC SERVO MOTOR				1
23	SM6052002TR	SCREW M5 L=20				4
24	23636400	BOBBIN WINDER DRIVING WHEEL				1
25	23605207	BEARING HOLDER				1
26	SS6111440SP	SCREW 11/64-40 L=14.0				2
27	40004167	MAIN_SHAFT				1
28	40004169	TIMING_BELT				1
29	40010434	THRUST_COLLAR_ASM.				1
30	40010436	THRUST_COLLAR_SCREW		*		2
31	40010435	THRUST_COLLAR		*		1
32	SM80608A2TP	SCREW M6 L=8				2
33	40108752	SPROCKET_A				2
34	SB120000800	BEARING				1
35	40004192	ADJUSTING_SPRING				1
36	40004179	SUSPENSION_SCREW				1
37	40121890	PH=SQUARE_BLOCK_GUIDE_ASM.				1
38	SM6041202TP	SCREW M4X0.7 L=12		*		2
39	40080072	THREAD_TAKE_UP_ASM.		*		1
40	40008339	P=T NEEDLE BEARING SELECTIVE PARTS		*		2
41	22891204	BEARING SUPPORT		*		2
42	40006300	THREAD_TAKE_UP_CRANK_SHAFT		*		1
43	SM80608A2TP	SCREW M6 L=8		*		1
44	40006307	SQUARE_BLOCK_GUIDE		*		1
45	40004209	NEEDLE_BAR_ROD		*		1
46	40004206	SQUARE_BLOCK		*		1
47	40008423	WASHER		*		1

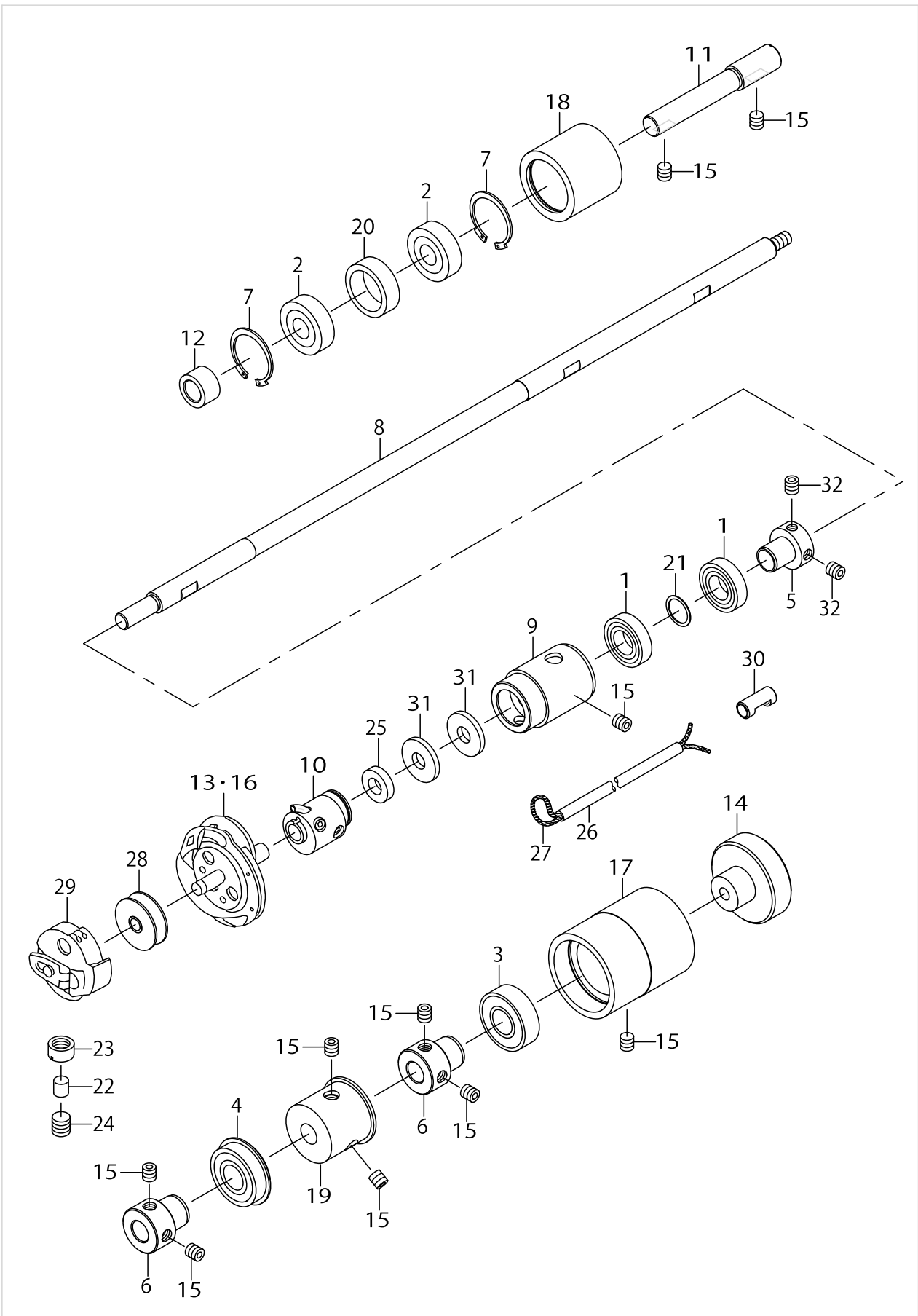
MAIN SHAFT COMPONENTS



MAIN SHAFT COMPONENTS

No.	Parts No.	Parts name	Remarks	Level	Cons	Qty
48	40008426	SQUARE_BLOCK		*		1
49	40022363	SQUARE_BLOCK_GUIDE_B		*		1
50	40083369	NEEDLE_CRANK_SHAFT		*		1
51	SM6062502TP	SCREW M6 L=25				3

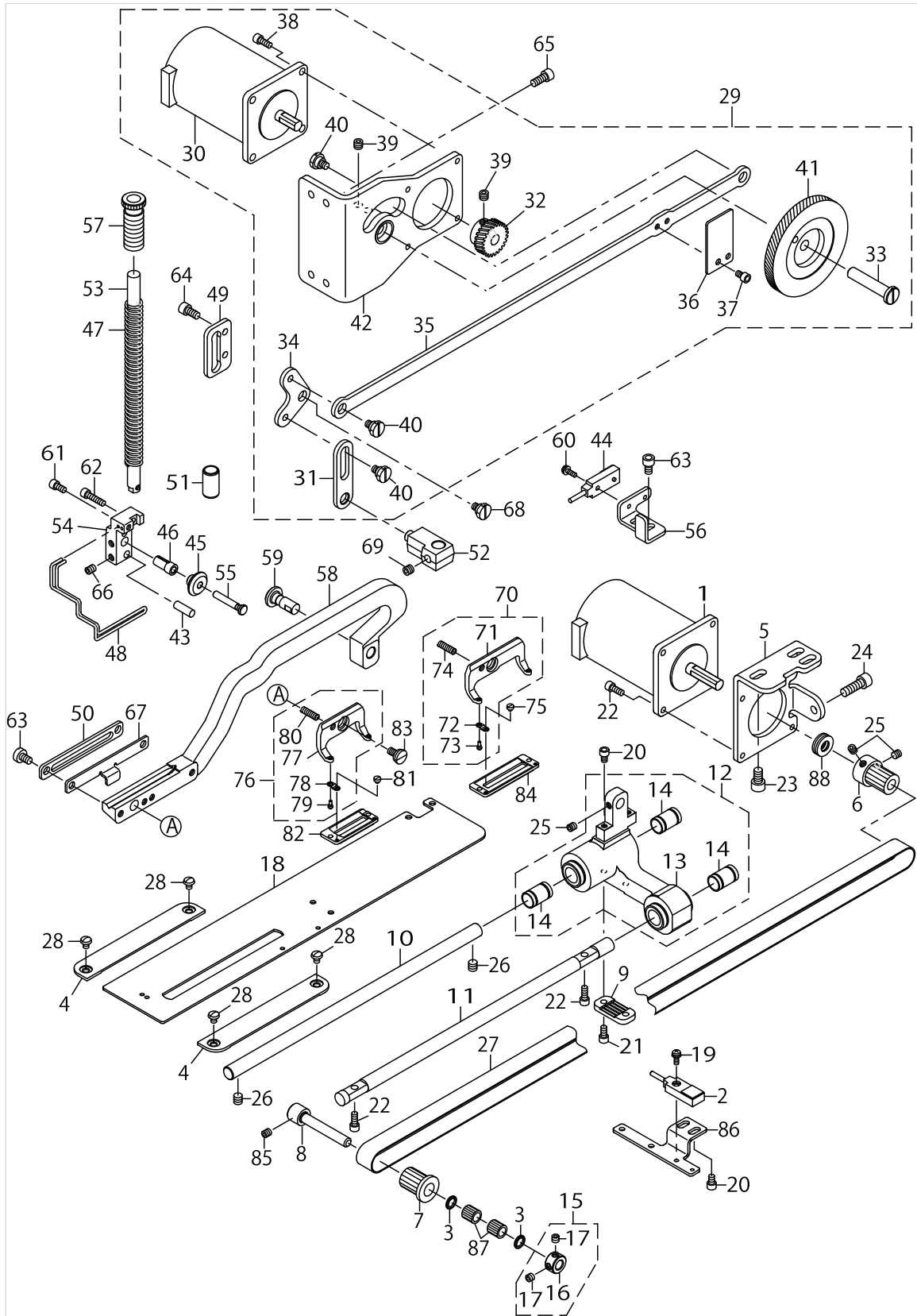
HOOK DRIVING SHAFT COMPONENTS



HOOK DRIVING SHAFT COMPONENTS

No.	Parts No.	Parts name	Remarks	Level	Cons	Qty
1	SB112001600	BEARING				2
2	SB110000600	BALL BEARING				2
3	SB115000200	BEARING				1
4	SB115001500	BEARING				1
5	40004188	BEARING_SUPPORT				1
6	23536204	BUSH				2
7	RC2791218KP	RETAINING RING				2
8	40004186	HOOK_DRIVING_SHAFT				1
9	40004187	HOOK_DRIVING_SHAFT_METAL				1
10	13729660	HOOK SLEEVE ASM.				1
11	13710306	INTERMEDIATE SPROCKET SHAFT				1
12	13710504	INTERMEDIATE SPROCKET WASHER				1
13	13729066	HOOK COMPL.	FOR LBH-1790S			1
14	G8039870000	CROWN KNOB				1
15	SM80606A2TP	SCREW M6 L=6				10
16	13782065	HOOK COMPL. (K)	FOR LBH-1792K			1
17	14504401	BEARING SUPPORT				1
18	40004180	SPROCKET_B				1
19	40108753	SPROCKET_C				1
20	13710405	INTERMEDIATE SPROCKET RING				1
21	40006317	WASHER				1
22	40006322	ADJUSTING SHAFT				1
23	40006312	ADJUSTING_NUT				1
24	SM8080812TP	SCREW M8X8				1
25	40006320	FELT				1
26	23630007	TUBE				1
27	CQ202000000	OIL WICK				1
28	B1811771000	BOBBIN				1
29	13729769	BOBBIN CASE ASM.				1
30	40006321	PIPE				1
31	40011355	OIL_FILTER				2
32	SM8050502TP	SCREW M5 L=5				2

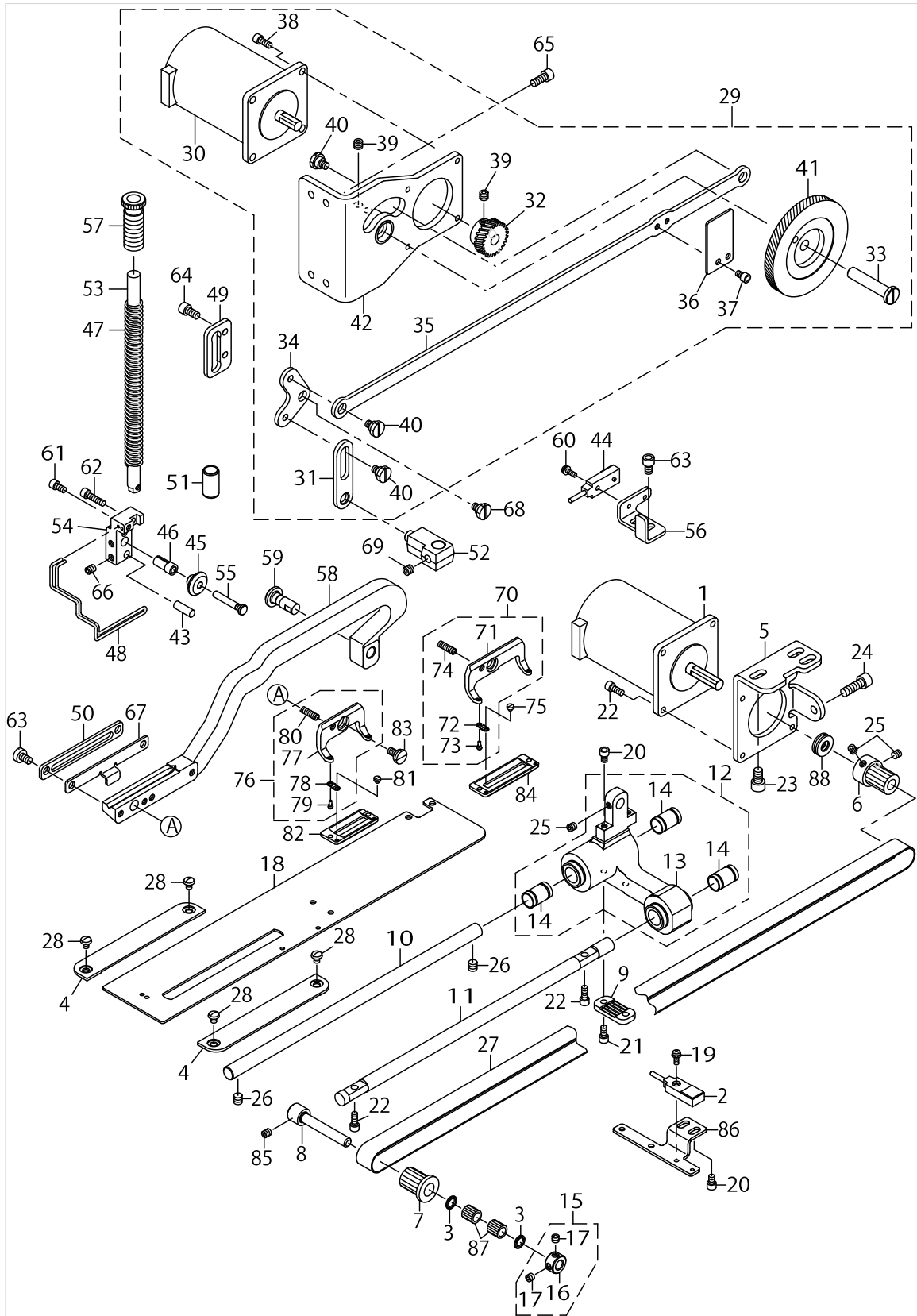
PRESSER & FEED COMPONENTS (FOR LBH-1790S, LBH-1792S)



PRESSER & FEED COMPONENTS (FOR LBH-1790S, LBH-1792S)

No.	Parts No.	Parts name	Remarks	Level	Cons	Qty
1	40005372	FEED MOTOR ASS'Y				1
2	40005378	FEED SENSOR ASS'Y				1
3	22891204	BEARING SUPPORT				2
4	40075297	THROAT_PLATE_BASE_COVER				2
5	40004194	MOTOR_BRACKET				1
6	40108754	PULLEY_B				1
7	40004197	PULLEY_C				1
8	40004198	SUPPORT_SHAFT				1
9	40004200	TIMING_BELT HOLDER				1
10	40004201	FEED_SHAFT				1
11	40022121	FEED_GUIDE_SHAFT				1
12	40004203	FEED_BASE_ASM.				1
13	40004204	FEED_BASE		*		1
14	40110933	BEARING		*		3
15	40010434	THRUST_COLLAR_ASM.				1
16	40010435	THRUST_COLLAR		*		1
17	SM8050412TP	SCREW M5 L=4		*		2
18	40004205	WORK_CLAMP_CARRIER				1
19	SL4031081SC	SCREW M3X10				1
20	SM6040602TP	SCREW M4 L=6				4
21	SM6040802TP	SCREW M4X0.7 L=8				2
22	SM6041002TP	SCREW M4 L=10				6
23	SM6061002TP	SCREW M6 L=10				3
24	SM6061802TP	SCREW M6 L=18				1
25	SM8050502TP	SCREW M5 L=5				3
26	SM80606A2TP	SCREW M6 L=6				2
27	40004199	TIMING_BELT				1
28	SM5040550TP	SCREW M4 L=5				4
29	40004266	ASSY_PBL_GEAR_MODULE				1
30	40005373	CLAMP MOTOR ASS'Y		*		1
31	40004273	PBL_FRONT_LINK		*		1
32	40004291	PBL_GEAR S		*		1
33	40004275	PBL_GEAR_SHAFT		*		1
34	40004282	PBL_L-LINK		*		1
35	40004270	PBL_LONG_ROD		*		1
36	40004278	PBL_SENSOR_PLATE		*		1
37	SM6040602TP	SCREW M4 L=6		*		2
38	SM6041002TP	SCREW M4 L=10		*		4
39	SM8060552TP	SCREW M6 L=5		*		5
40	SD0800326TP	SHOULDER SCREW D=8 H=3.2		*		4
41	40004289	ASSY PBL GEAR L		*		1
42	40004267	ASSY_PBL_MOTOR_BASE		*		1
43	13127402	PIN SHORT C				1
44	40005379	CLAMP SENSOR ASS'Y				1
45	40019551	SLIDE_ROLLER				1
46	13926308	COLLAR				1
47	40004281	PBL_COIL_SPRING				1

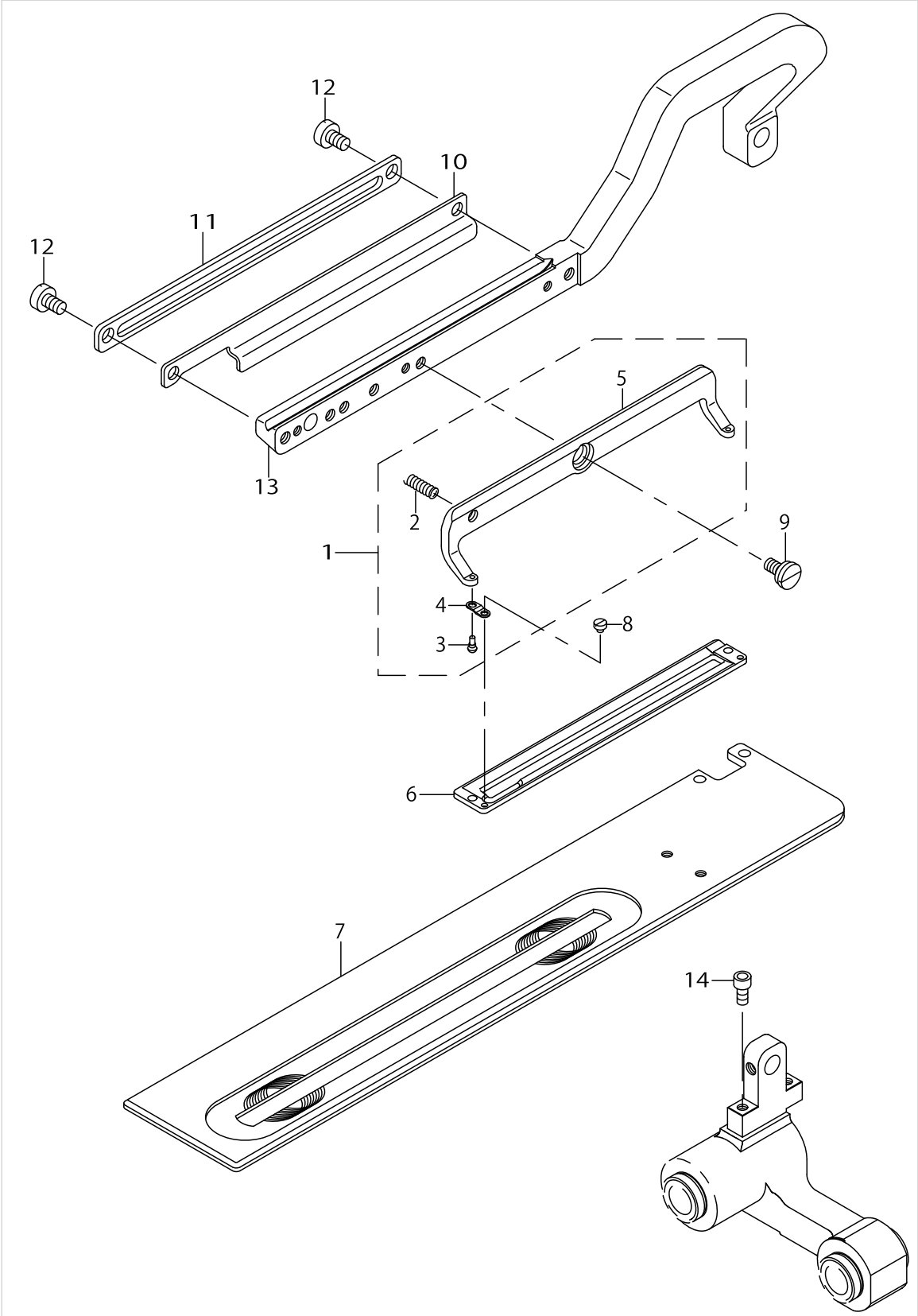
PRESSER & FEED COMPONENTS (FOR LBH-1790S, LBH-1792S)



PRESSER & FEED COMPONENTS (FOR LBH-1790S, LBH-1792S)

No.	Parts No.	Parts name	Remarks	Level	Cons	Qty
48	40004285	PBL_FINGER_GUARD				1
49	40004276	PBL_GUIDE				1
50	40004280	PBL_LIFTING_PLATE				1
51	40004279	PBL_METAL				1
52	40004274	PBL_POSITION_BRACKET				1
53	40004271	PBL_PRESSER_BAR				1
54	40004283	PBL_ROLLER_BASE				1
55	40004286	PBL_ROLLER_SHAFT				1
56	40004277	PBL_SENSOR_BASE				1
57	40004272	PBL_SPRING_REGULATOR				1
58	40004287	PBL_WORK_CLAMP_ARM				1
59	40004288	PBL_WORK_CLAMP_ARM_SHAFT				1
60	SL4031081SC	SCREW M3X10				1
61	SM6040802TP	SCREW M4X0.7 L=8				1
62	SM6041602TP	SCREW M4X0.7 L=16				1
63	SM6050800SP	SCREW M5 L=8				2
64	SM6051002TP	SCREW M5X0.8 L=10				4
65	SM6051202TP	SCREW M5X0.8 L=12				4
66	SM8050602TP	SCREW M5 L=6				2
67	40020310	UTT_CLOSE_CAM_B				1
68	SD0800326TP	SHOULDER SCREW D=8 H=3.2				1
69	SM8060552TP	SCREW M6 L=5				1
70	D1511772KA0	WORK CLAMP CHECK HOLDER	FOR LBH-1792K			1
71	B1511772000A	WORK CLAMP CHECK HOLDER		*		1
72	B1509761000	WORK CLAMP CHECK SPRING		*		2
73	B151077100B	WORKCLAMPCHECKSPRINGSETPIN(B)		*		2
74	B1512761000	WORK CLAMP CHECK HOLDER SPRING		*		1
75	SS6060210SP	SCREW 3/32-56 L=1.9	FOR LBH-1792K			2
76	D1511771KA0A	WORK CLAMP CHECK HOLDER ASM.	FOR LBH-1790S			1
77	B1511771000B	PRESSER FOOT		*		1
78	B1509761000	WORK CLAMP CHECK SPRING		*		2
79	B151077100B	WORKCLAMPCHECKSPRINGSETPIN(B)		*		2
80	B1512761000	WORK CLAMP CHECK HOLDER SPRING		*		1
81	SS6060210SP	SCREW 3/32-56 L=1.9	FOR LBH-1790S			2
82	B1552781000A	PRESSER	FOR LBH-1790S			1
83	SD0790203SP	HINGE SCREW D=7.94 H=2				1
84	D1508772K00	WORK CLAMP CHECK (2K)	FOR LBH-1792K			1
85	SM8050502TP	SCREW M5 L=5				1
86	40004195	SENSOR_PLATE				1
87	SB307000200	BEARING				2
88	SB408000100	BEARING				1

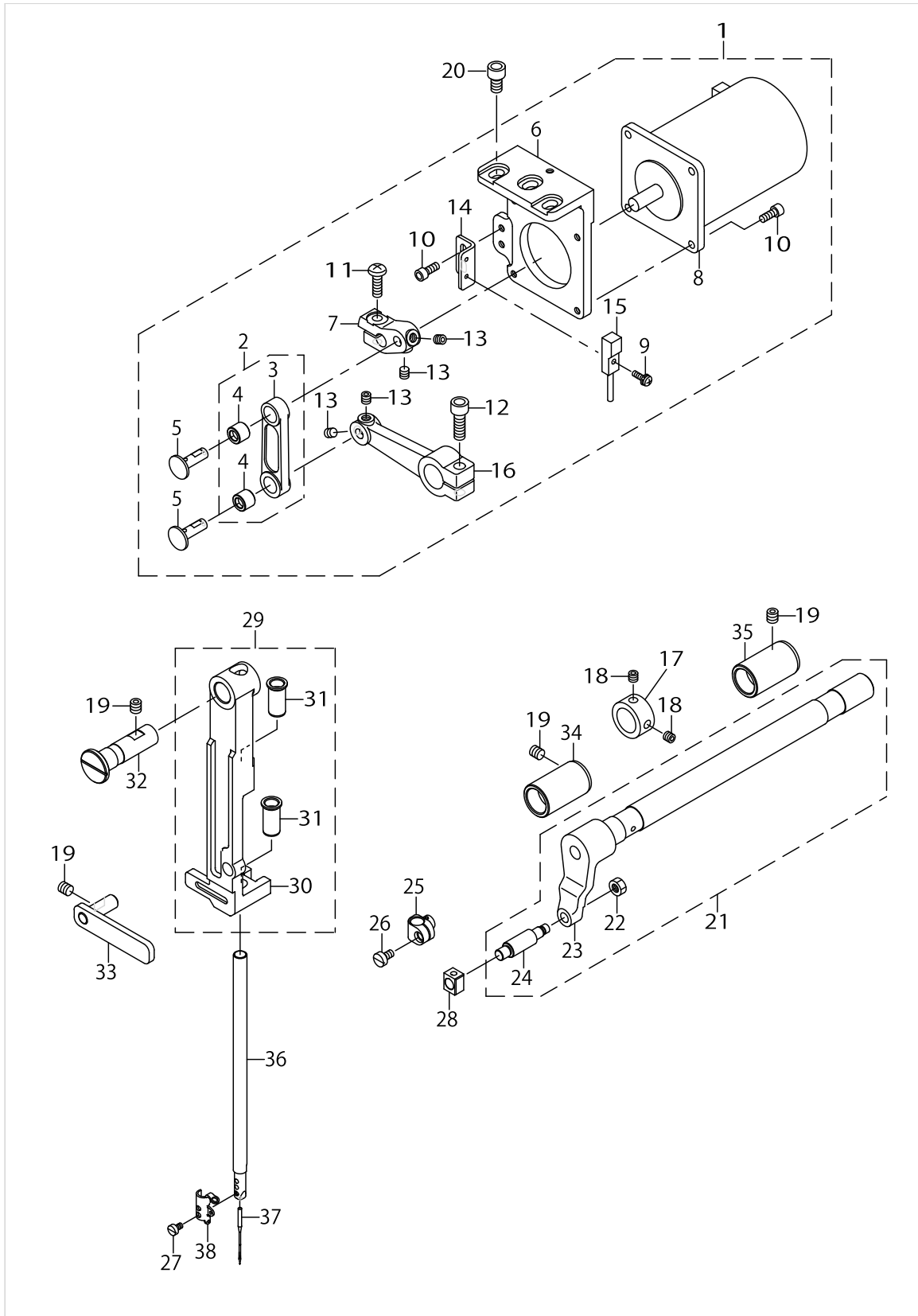
PRESSER & FEED COMPONENTS (FOR LBH-1795S)



PRESSER & FEED COMPONENTS (FOR LBH-1795S)

No.	Parts No.	Parts name	Remarks	Level	Cons	Qty
1	40008646	ASSY_WORK_CLAMP_CHECK_HOLDER_120				1
2	40008638	WORK_CLAMP_CHECK_HOLDER_SPRING B		*		1
3	B151077100B	WORKCLAMPCHECKSPRINGSETPIN(B)		*		2
4	B1509761000	WORK_CLAMP_CHECK_SPRING		*		2
5	40008647	WORK_CLAMP_CHECK_HOLDER_120		*		1
6	40008658	WORK_CLAMP_120				1
7	40006339	WORK_CLAMP_CARRIER_120				1
8	SS6060210SP	SCREW 3/32-56 L=1.9				6
9	SD0790203SP	HINGE SCREW D=7.94 H=2				3
10	40028682	UTT_CLOSE_CAM_120B				1
11	40112711	LIFTING_PLATE_120				1
12	SM6050800SP	SCREW M5 L=8				2
13	40006335	WORK_CLAMP_ARM_120				1
14	SM6040802TP	SCREW M4X0.7 L=8				2

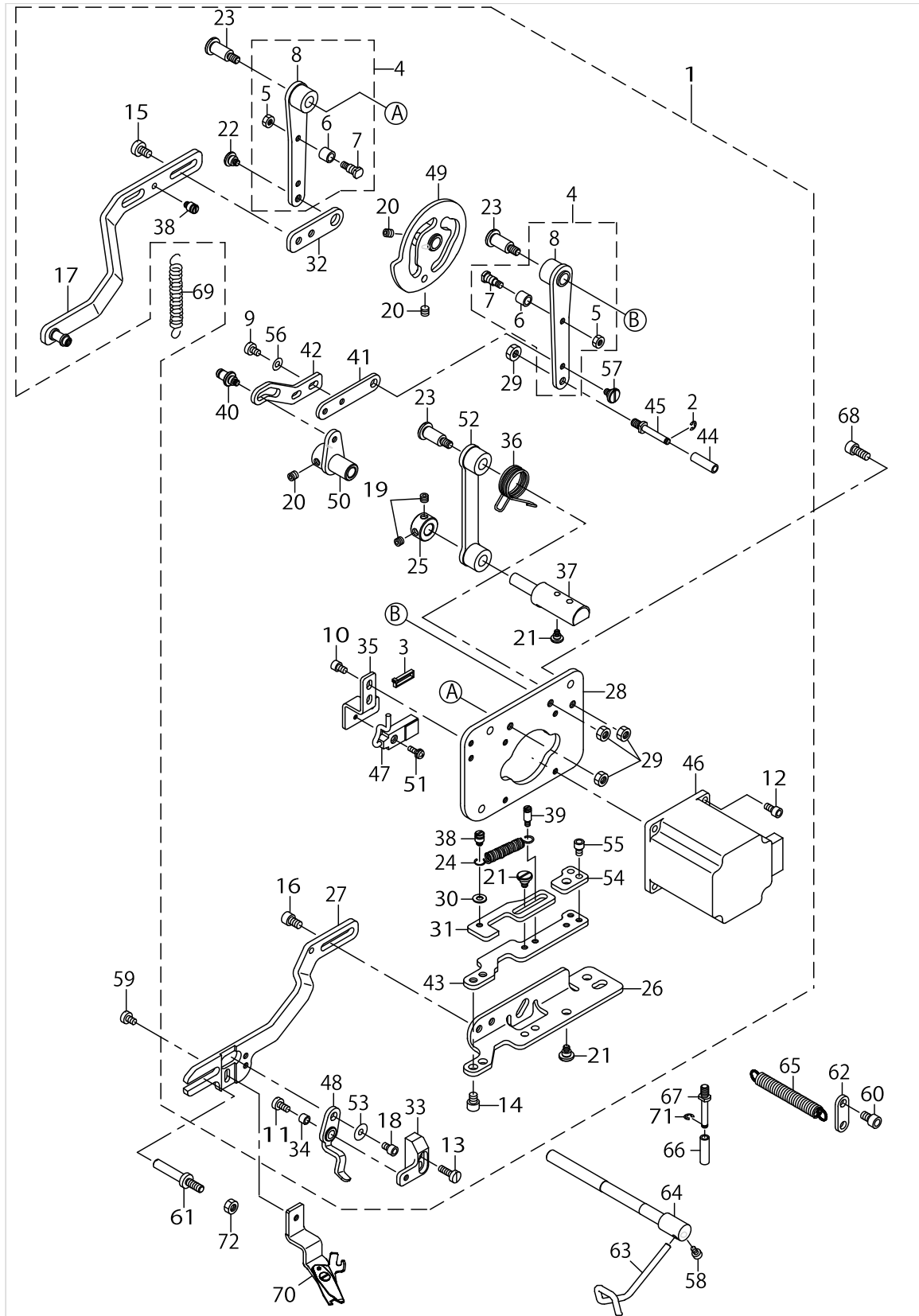
NEEDLE BAR ROCKING COMPONENTS



NEEDLE BAR ROCKING COMPONENTS

No.	Parts No.	Parts name	Remarks	Level	Cons	Qty
1	40004223	ZIGZAG DRIVE FULL ASSY				1
2	40004378	ZIGZAG ROD ASM.		*		1
3	40004379	ZIGZAG ROD		*		1
4	23530405	SHAFT HOLDER LINK BUSH		*		2
5	40008671	P=JUNCTION SHAFT SELECTIVE PARTS	SELECTIVE PARTS	*		2
6	40004375	MOTOR BASE		*		1
7	40004377	MOTOR LEVER		*		1
8	40005371	NEEDLE SWING MOTOR ASS'Y		*		1
9	SL4031081SC	SCREW M3X10		*		1
10	SM6041002TP	SCREW M4 L=10		*		6
11	SM4051655SP	SCREW M5 L=16		*		1
12	SM6061802TP	SCREW M6 L=18		*		1
13	SM8050502TP	SCREW M5 L=5		*		4
14	40004376	SENSOR PLATE		*		1
15	40005377	NEEDLE SWING SENSOR ASSY		*		1
16	40004380	ZIGZAG LEVER REAR		*		1
17	CS1501181TP	THRUST COLLAR D=15 W=11				1
18	SM8050502TP	SCREW M5 L=5				2
19	SM80606A2TP	SCREW M6 L=6				4
20	SM6061002TP	SCREW M6 L=10				3
21	40004224	ZIGZAG LEVER SHAFT ASM.				1
22	NM6050001SP	NUT M5		*		1
23	40004373	ZIGZAG LEVER SHAFT		*		1
24	40004374	ZIGZAG_STUD		*		1
25	40004214	NEEDLE BAR CONNECTION				1
26	SM6040750TP	SCREW M4 L=7				1
27	SM6030500SN	SCREW M3 L=5				1
28	B1414232000	SQUARE BLOCK				1
29	40004222	NEEDLE BAR FRAME ASSY				1
30	40004212	NEEDLE BAR FRAME		*		1
31	40004213	NEEDLE BAR METAL		*		2
32	40004221	SUPPORT SHAFT				1
33	40004218	FRAME SUPPORT PLATE ASM.				1
34	40004216	BUSHING				1
35	40004217	BUSHING REAR				1
36	40004215	NEEDLE BAR				1
37	MDP5J0B1100	NEEDLE DPX5 #11J				1
38	13706403	NEEDLE BAR THREAD GUIDE				1

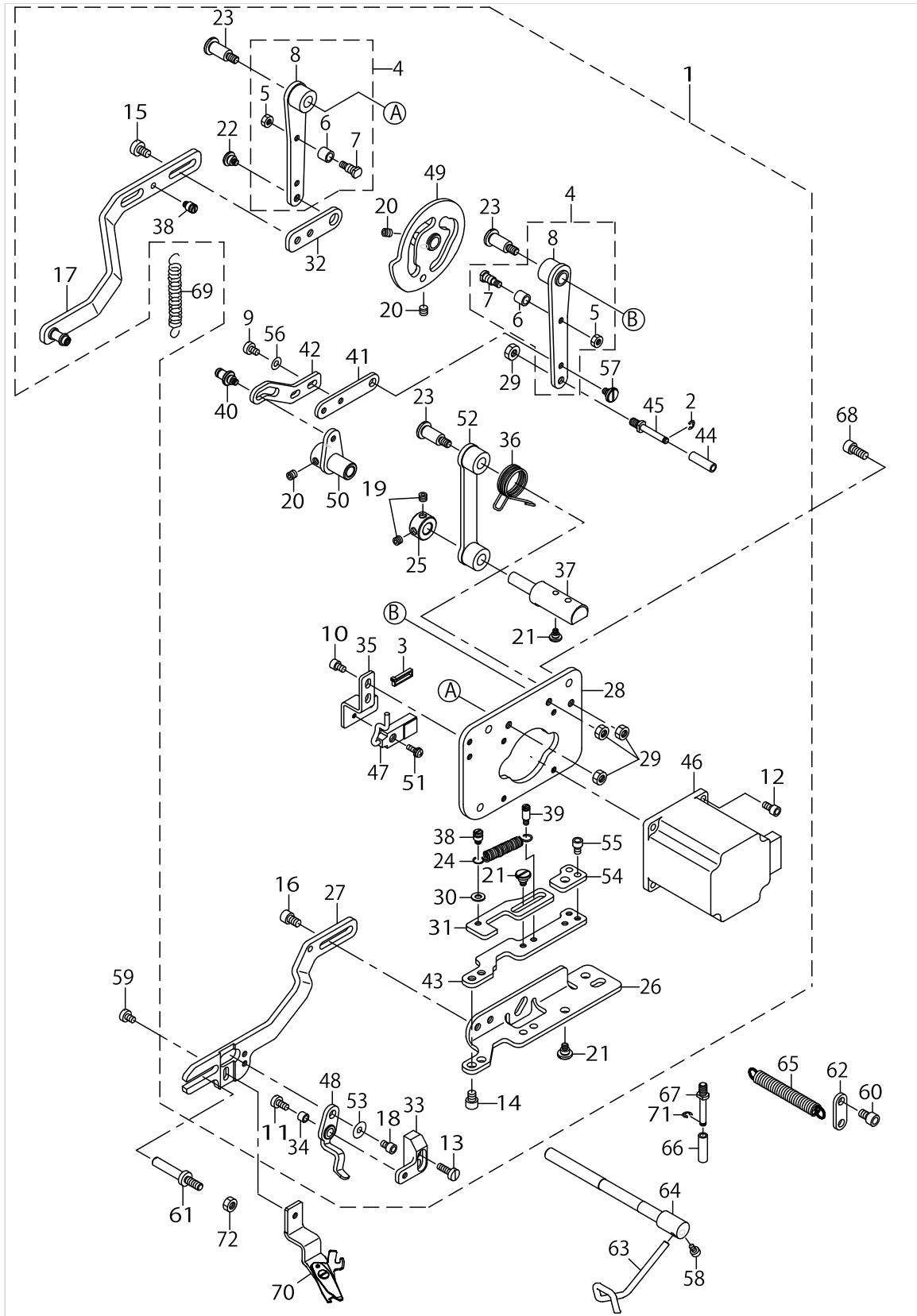
NEEDLE THREAD TRIMMER COMPONENTS



NEEDLE THREAD TRIMMER COMPONENTS

No.	Parts No.	Parts name	Remarks	Level	Cons	Qty
1	40029904	ASSY_UTT_MODULE_B				1
2	RE0300000K0	E-RING 3		*		1
3	EA9500B0100	CABLE BAND		*		1
4	40101641	ASSY_UTT_CAM_ARM		*		2
5	NM6040000SN	NUT M4		*		1
6	40004254	UTT_CAM_ROLLER		*		1
7	40101638	UTT_CAM_ROLLER_SHAFT		*		1
8	40101642	UTT_CAM_ARM		*		2
9	SM6040600SP	SCREW M4 L=6		*		2
10	SM6040602TP	SCREW M4 L=6		*		2
11	SM6040860TP	SCREW M4 L=8		*		1
12	SM6040802TP	SCREW M4X0.7 L=8		*		4
13	SM6041200SP	SCREW M4 L=12		*		2
14	SM6050652TP	HEXAGON SOCKET HEAD SCREW M5X6		*		2
15	SM6050800SP	SCREW M5 L=8		*		2
16	SM6050802TP	SCREW M5X0.8 L=8		*		2
17	40004400	ASSY UTT RELEASE ARM B		*		1
18	SM6040602TP	SCREW M4 L=6		*		1
19	SM8050412TP	SCREW M5 L=4		*		2
20	SM8050502TP	SCREW M5 L=5		*		4
21	SD0600326TP	SHOULDER SCREW D=6 H=3.2		*		4
22	SD0800406TP	SHOULDER SCREW D=8 H=4		*		1
23	SD0801506TP	SHOULDER SCREW D=8 H=15		*		3
24	11272507	SPRING		*		1
25	CS0800881TP	THRUST COLLAR		*		1
26	40004235	UTT ARM A		*		1
27	40004238	UTT_ARM_B		*		1
28	40004293	UTT BASE PLATE		*		1
29	NM6050001SP	NUT M5		*		4
30	WP0430801SC	WASHER 4.3X9X0.8		*		1
31	40015702	UTT_RATCH_PLATE_B		*		1
32	40004294	UTT RELEASE ARM A		*		1
33	40004264	UTT RELEASE LEVER BASE		*		1
34	40004265	UTT RELEASE LEVER SHAFT		*		1
35	40004292	UTT SENSOR BASE		*		1
36	40004296	UTT_SUPPORT_ARM_SPRING		*		1
37	40004234	UTT SUPPORT SHAFT		*		1
38	40004248	UTT SUSPENSION SCREW 4		*		2
39	40004252	UTT SUSPENSION SCREW 9		*		1
40	40004247	UTT SUSPENSION SHOULDER SCREW		*		1
41	40004244	UTT THREAD PULLING LINK A		*		1
42	40004245	UTT THREAD PULLING LINK B		*		1
43	40004236	UTT X-CAM		*		1
44	40004297	UTT Y-DRIVE ROLLER		*		1
45	40004298	UTT Y-DRIVE SHAFT		*		1
46	40005374	UT TRIM MOTOR ASS'Y		*		1
47	40005380	UT TRIM SENSOR ASS'Y		*		1

NEEDLE THREAD TRIMMER COMPONENTS



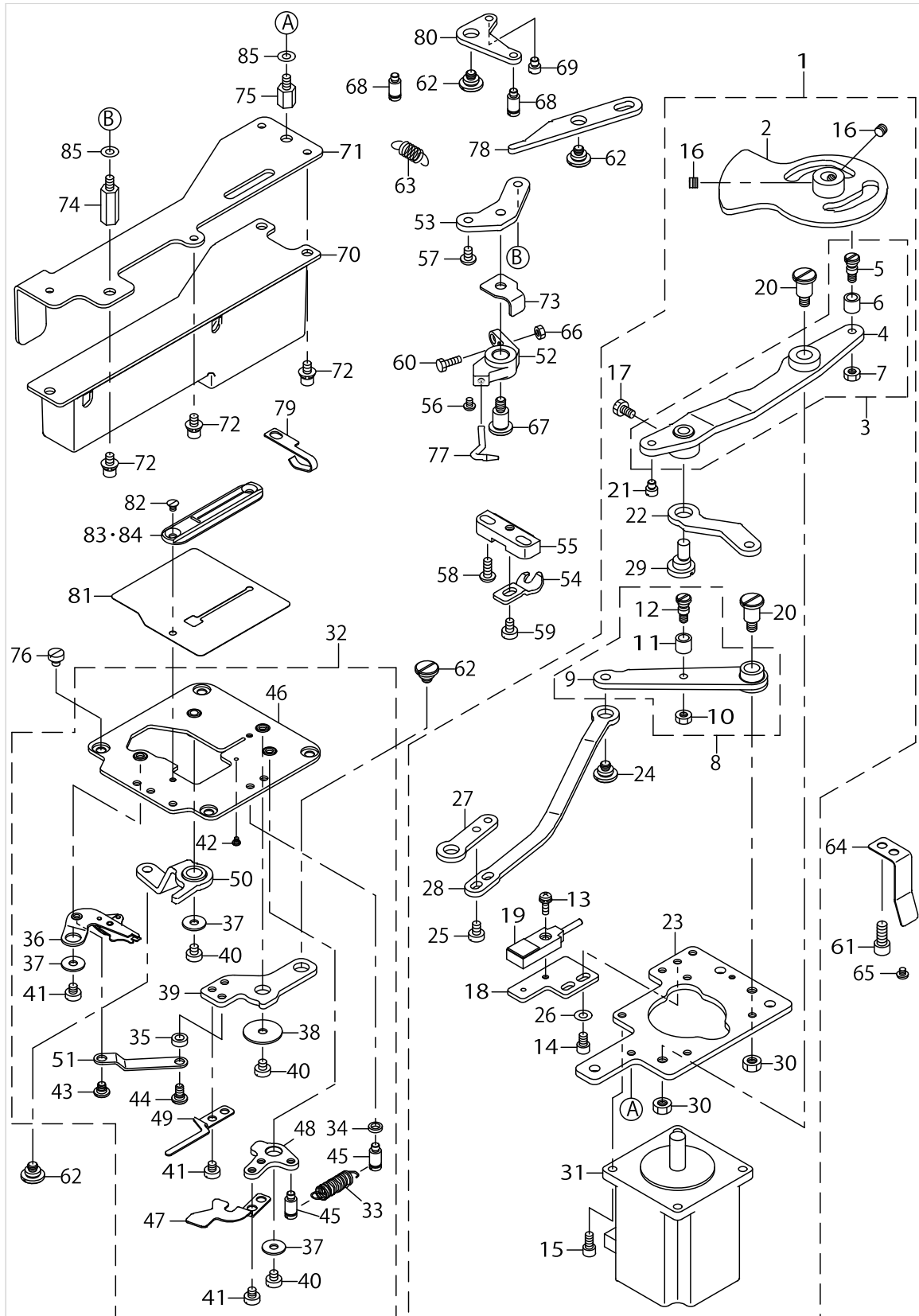
NEEDLE THREAD TRIMMER COMPONENTS

No.	Parts No.	Parts name	Remarks	Level	Cons	Qty
48	40028634	ASSY_UTT_RELEASE_LEVER_B		*		1
49	40004229	ASSY UTT CAM		*		1
50	40004240	ASSY UTT THREAD PULLING ARM		*		1
51	SL4031081SC	SCREW M3X10		*		1
52	40004232	ASSY UTT SUPPORT ARM		*		1
53	WP0431005SP	PLAIN WASHER 4.3X12X1		*		1
54	40015674	UTT_RATCH_STOPPER		*		1
55	SM6040602TP	SCREW M4 L=6		*		2
56	WP0550800SP	WASHER 5.5X10X0.8		*		2
57	SD0600266TP	SHOULDER SCREW D=6 H=2.6		*		1
58	SM6040602TP	SCREW M4 L=6				1
59	SM6040600SP	SCREW M4 L=6				1
60	SM6050802TP	SCREW M5X0.8 L=8				1
61	40028636	UTT_GUIDE_SHAFT_B				1
62	40004249	UTT SUSPENSION PLATE				1
63	40004243	UTT THREAD PULLING LEVER				1
64	40004246	UTT THREAD PULLING SHAFT				1
65	40004250	UTT TRIMMER CLOSE SPRING				1
66	40004297	UTT Y-DRIVE ROLLER				1
67	40004298	UTT Y-DRIVE SHAFT				1
68	SM6051202TP	SCREW M5X0.8 L=12				3
69	MAZ16013000	BUTTON SUPPORT LEVER SPRING				1
70	40004255	ASSY UTT TRIMMER				1
71	RE0300000K0	E-RING 3				1
72	NM6050001SP	NUT M5				1

BOBBIN THREAD TRIMMER COMPONENTS

No.	Parts No.	Parts name	Remarks	Level	Cons	Qty
1	40004330	BTT_DRIVE_UNIT				1
2	40004332	ASSY_BTT_DRIVE_CAM		*		1
3	40101645	ASSY_BTT_DRIVE_LEVER		*		1
4	40101646	BTT_DRIVE_LEVER		*		1
5	40101638	UTT_CAM_ROLLER_SHAFT		*		1
6	40004254	UTT_CAM_ROLLER		*		1
7	NM6040001SD	NUT M4		*		1
8	40101648	ASSY_BTT_RELEASE_LEVER		*		1
9	40101649	BTT_RELEASE_LEVER		*		1
10	NM6040001SD	NUT M4		*		1
11	40004254	UTT_CAM_ROLLER		*		1
12	40101638	UTT_CAM_ROLLER_SHAFT		*		1
13	SL4031081SC	SCREW M3X10		*		1
14	SM6040602TP	SCREW M4 L=6		*		2
15	SM6040802TP	SCREW M4X0.7 L=8		*		4
16	SM8050412TP	SCREW M5 L=4		*		2
17	SM9040700SP	HEXAGONAL BOLT		*		1
18	40004335	SENSOR_FITTING_PLATE_BT		*		1
19	40005381	LT TRIM SENSOR ASS'Y		*		1
20	SD0801006TP	SHOULDER SCREW D=8 H=10		*		2
21	40004299	STOPPER_PIN		*		1
22	40004329	BTT_DRIVE_LINK		*		1
23	40004331	BTT_DRIVE_UNIT_BASE		*		1
24	SD0800296TP	SHOULDER SCREW D=8 H=2.9		*		1
25	SM6040600SP	SCREW M4 L=6		*		2
26	WP0430801SC	WASHER 4.3X9X0.8		*		2
27	40004343	BTT_RELEASE_LINK_F		*		1
28	40004344	BTT_RELEASE_LINK_R		*		1
29	13737408	LINK ROD		*		1
30	NM6050001SP	NUT M5		*		2
31	40005375	LT TRIM MOTOR ASS'Y		*		1
32	40021998	THROAT_PLATE_BASE_UNIT				1
33	40029613	CLAMP_SPRING		*		1
34	B1623180000	WASHER		*		1
35	B3013141H0A	WASHER		*		1
36	40004311	BT_TRIMMER		*		1
37	WP0431005SP	PLAIN WASHER 4.3X12X1		*		3
38	WP0451016SP	WASHER 4.5X20X1		*		1
39	40004306	BTT_LEVER		*		1
40	SM6040450TP	SCREW M4 L=4		*		3
41	SM6040450TP	SCREW M4 L=4		*		5
42	SD0250101SP	HINGE SCREW		*		1
43	SD0500166TP	SHOULDER SCREW D=5 H=1.6		*		1
44	SD0500167TP	SHOULDER SCREW D=5 H=1.6		*		1
45	40004327	SUSPENSION_SCREW		*		2
46	40004301	ASSY_THROAT_PLATE_BASE		*		1
47	40022323	BT_CLAMP_B		*		1

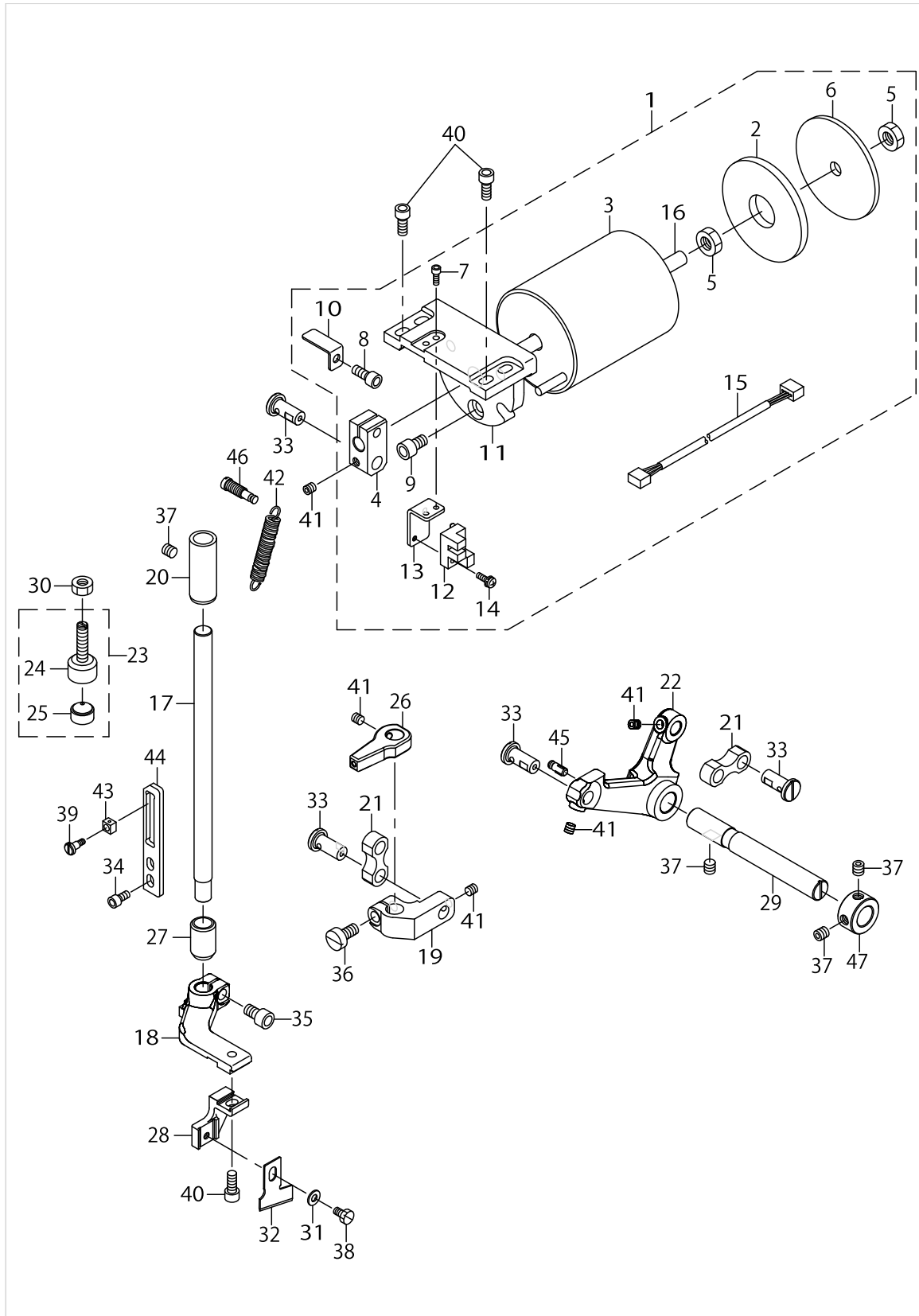
BOBBIN THREAD TRIMMER COMPONENTS



BOBBIN THREAD TRIMMER COMPONENTS

No.	Parts No.	Parts name	Remarks	Level	Cons	Qty
48	40004309	BT_CLAMP_LEVER		*		1
49	40022322	BT_PULLER_B		*		1
50	40004321	ASSY_BT_RELEASE_ARM		*		1
51	40004308	BT_TRIMMER_LINK		*		1
52	40004345	PICKER_BASE				1
53	40004347	PICKER_BASE_FITTING_PLATE				1
54	13727102	STOPPER A				1
55	13729306	BOBBIN CASE POSITIONING PLATE				1
56	SM4030455SN	SCREW M3 L=4				1
57	SM6040602TP	SCREW M4 L=6				1
58	SM4041050TP	SCREW M4 L=10				2
59	SM6040600SP	SCREW M4 L=6				1
60	SM6041200SP	SCREW M4 L=12				1
61	SM6050802TP	SCREW M5X0.8 L=8				3
62	SD0800296TP	SHOULDER SCREW D=8 H=2.9				4
63	40011327	PICKER_SPRING				1
64	14516801	SAFETY SWITCH PRESSING PLATE				1
65	SM5030355SE	SCREW				1
66	NM6040001SD	NUT M4				1
67	SD0801006TP	SHOULDER SCREW D=8 H=10				1
68	40004327	SUSPENSION_SCREW				2
69	40004299	STOPPER_PIN				1
70	40004164	OIL_TANK_ASM.				1
71	40004163	OIL_TANK_PLATE				1
72	SL6040892TN	SCREW				6
73	40004328	PICKER_BASE_STOPPER				1
74	HX00339000C	PARTS				1
75	HX003390000	STUD				1
76	SM6040450TP	SCREW M4 L=4				4
77	40004346	PICKER				1
78	40004348	PICKER_ACTUATING_LEVER				1
79	26230409	LUBRICATING OIL WICK STOPPER				1
80	40004349	PICKER_ACTUATING_L_LINK				1
81	40004324	OIL_SHIELD				1
82	SM1030400SP	SCREW M3 L=4				2
83	40027553	THROAT_PLATE(1790S5)	FOR LBH-1790S			1
84	40027554	THROAT_PLATE(1790K5)	FOR LBH-1792K			1
85	WP0430800SC	WASHER M4				2

CLOTH CUTTING KNIFE COMPONENTS



CLOTH CUTTING KNIFE COMPONENTS

No.	Parts No.	Parts name	Remarks	Level	Cons	Qty
1	40004381	KNIFE SOL ASM.				1
2	40004384	CUSION		*		1
3	40004382	SOLENOID		*		1
4	40009788	KNIFE HOLDER		*		1
5	NM6080003SC	NUT M8		*		2
6	40004383	PLATE A		*		1
7	SM6030802TP	SCREW M3X0.5 L=8		*		2
8	SM6051202TP	SCREW M5X0.8 L=12		*		1
9	SM6061002TP	SCREW M6 L=10		*		3
10	40004387	SENSOR SLIT PLATE		*		1
11	40004385	SOLENOID BASE		*		1
12	HD00057000A	PHOTO SENSOR		*		1
13	40004386	SENSOR PLATE		*		1
14	SL4031091SC	SCREW M3X10		*		1
15	40005382	CUTTER SENSOR JOINT CORD		*		1
16	40081403	KNIFE_SOL_SHAFT_ASM.		*		1
17	40004394	KNIFE BAR				1
18	40004396	KNIFE BAR BASE				1
19	40004397	KNIFE BAR BRACKET				1
20	40004398	KNIFE BAR BUSH				1
21	13746508	KNIFE BAR CONNECTING LINK				2
22	40004390	KNIFE BAR DRIVING LEVER				1
23	40004219	KNIFE BAR DRIVING STOPPER ASM.				1
24	40004391	KNIFE BAR DRIVING STOP SCREW		*		1
25	13750807	KNIFE DRIVING LEVER STOPPER		*		1
26	40141850	KNIFE BAR SUPPORT BLOCK				1
27	40040276	KNIFE_BAR_LOWER_BUSHING				1
28	40004393	KNIFE FITTING BASE				1
29	40004395	KNIFE LEVER SHAFT				1
30	NM6060002SD	NUT M6				1
31	WP0430801SC	WASHER 4.3X9X0.8				1
32	B2702047L00A	KNIFE 1/2				1
33	40004392	BELL CRANK SHAFT				4
34	SM6040802TP	SCREW M4X0.7 L=8				2
35	SM6061202TP	SCREW M6 L=12				1
36	SM6061200SP	SCREW				1
37	SM8060612TP	SCREW M6 L=6				4
38	SM9040700SP	HEXAGONAL BOLT				1
39	SD0400506TP	SHOULDER SCREW D4 H5				1
40	SM6051202TP	SCREW M5X0.8 L=12				5
41	SM8050502TP	SCREW M5 L=5				5
42	40004389	SPRING				1
43	40006315	SQUARE BLOCK				1
44	40004211	SUPPORT GUIDE				1
45	13738802	SUSPENSION SCREW				1
46	40004179	SUSPENSION SCREW				1
47	CS1201171TP	THRUST COLLAR D=12 W=11				1

TABLE COMPONENTS

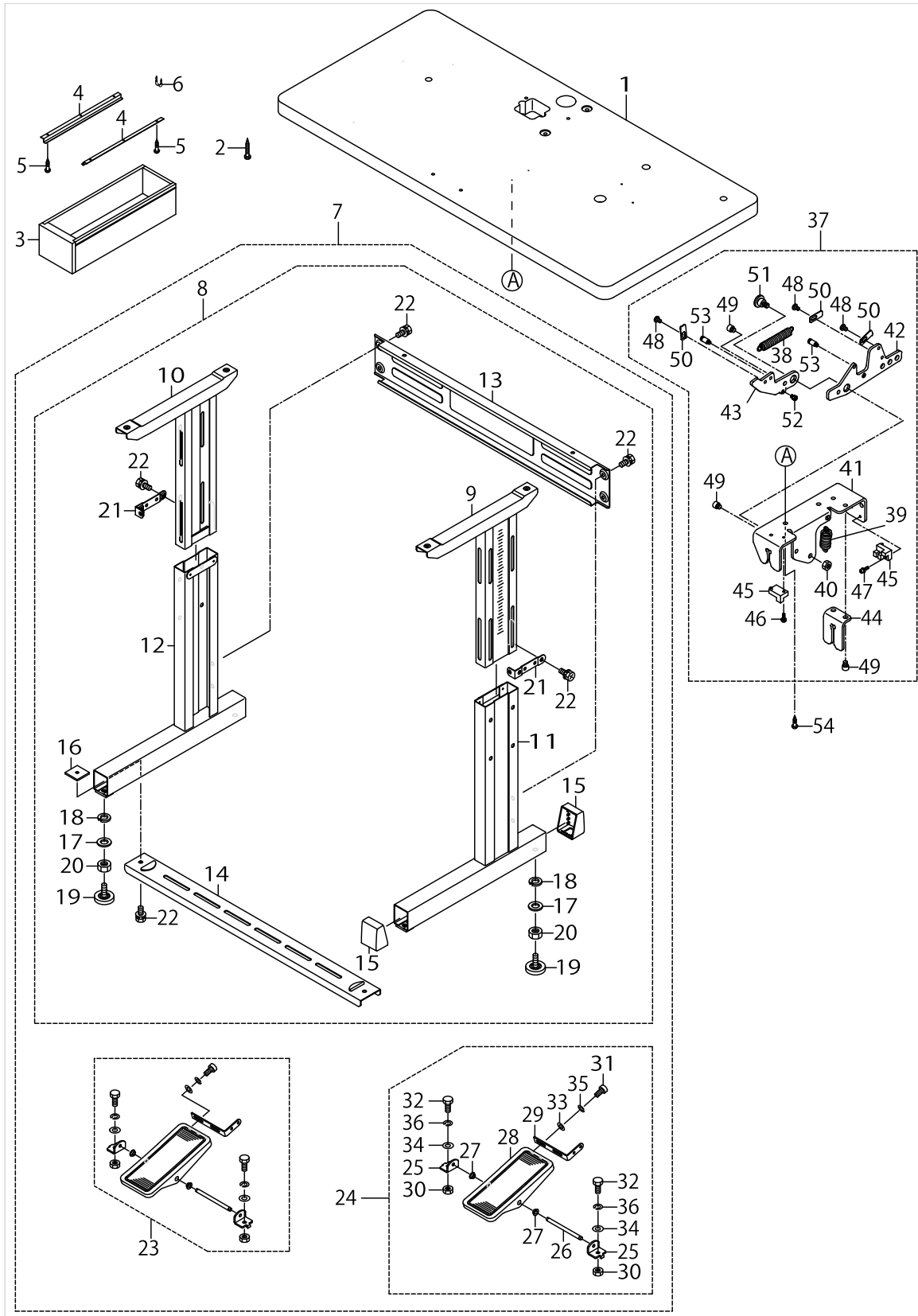


TABLE COMPONENTS

No.	Parts No.	Parts name	Remarks	Level	Cons	Qty
1	40006306	TABLE				1
2	ST9053511SR	TAPPING SCREW M5X35				4
3	11155108	DRAWER				1
4	11155207	DRAWER SUPPORT				2
5	SK3311600SC	WOOD SCREW D=3.1 L=16				6
6	D8204555D00	DRAWER STOPPER				1
7	B81017710A0	T-STAND COMPL.				1
8	11157559	T-STAND ASM.		*		1
9	11157666	UPPER STAND ASM. RIGHT		*		1
10	11157765	UPPER STAND ASM. LEFT		*		1
11	11157963	LOWER LEG RIGHT		*		1
12	11158060	LOWER LEG LEFT		*		1
13	11158300	STAND SIDE SUPPORT		*		1
14	11158409	STAND SIDE SUPPORT		*		1
15	11158607	RUBBER CAP		*		4
16	17007402	NUT		*		2
17	WP1302501SE	WASHER M12		*		4
18	WS1253010KN	SPRING WASHER 12.5X21.5X3		*		4
19	B81085550A0	ADJUSTING SCREW ASM. WITH CAP		*		4
20	NM6120001SE	NUT M12		*		1
21	11158516	UPPER STAND PLATE		*		2
22	SL9082091SE	WASHER HEXAGONAL BOLT		*		12
23	13817754	Z-STAND PEDAL ASM.		*		1
24	13817754	Z-STAND PEDAL ASM.		*		1
25	11159001	PEDAL SHAFT BRACKET		*		2
26	B8153771000	PEDAL CONNECTING ROD		*		1
27	D8113555B00	PEDAL BUSHING		*		2
28	GPF060600A0	PEDAL ASM.		*		1
29	GPF06080000	PEDAL ADJUSTING PLATE		*		1
30	NM6080721SE	NUT M8		*		2
31	SM9061203SE	SCREW M6 L=12		*		2
32	SM9082023SE	SCREW M8 L=20		*		2
33	WP0671016SE	WASHER 6.7X13X1		*		2
34	WP0871602SE	WASHER 8.7X18X1.6		*		4
35	WS0621210KR	SPRING WASHER 6.2X11.4X1.2		*		2
36	WS0861410KR	SPRING WASHER 8.6X15X1.4		*		2
37	40003491	ASSY 4 POSITION PEDAL				1
38	13731906	SPRING		*		1
39	B2583210D00	SPRING		*		1
40	NM6060001CP	NUT M6		*		1
41	40004360	PEDAL FRAME		*		1
42	40004361	PEDAL FRAME A		*		1
43	40004362	PEDAL FRAME B		*		1
44	40004363	PEDAL FRAME GUIDE		*		1
45	HD000570000	SENSOR		*		2
46	SL4031091SC	SCREW M3X10		*		1
47	SL6031042TN	SCREW		*		1

TABLE COMPONENTS

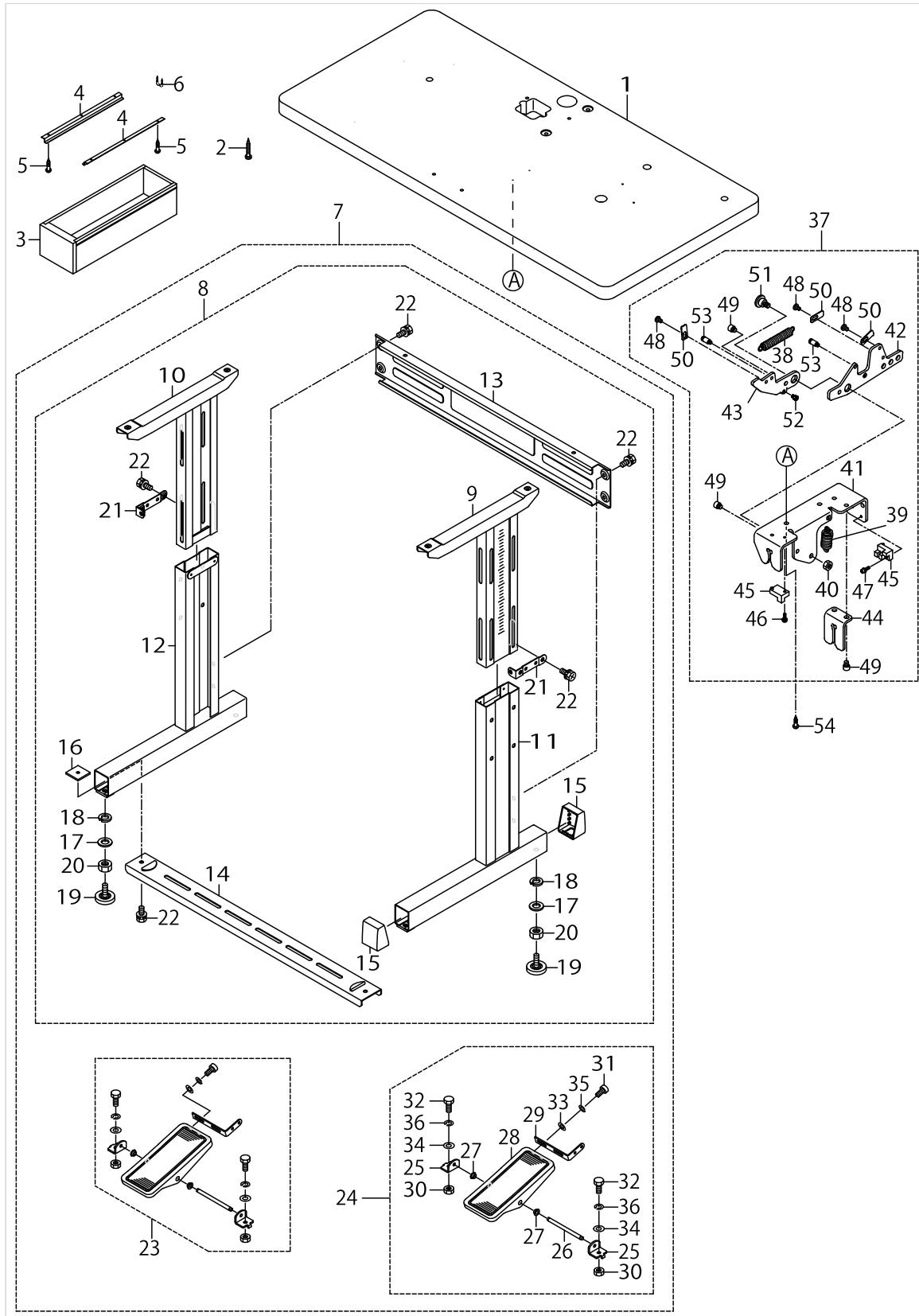
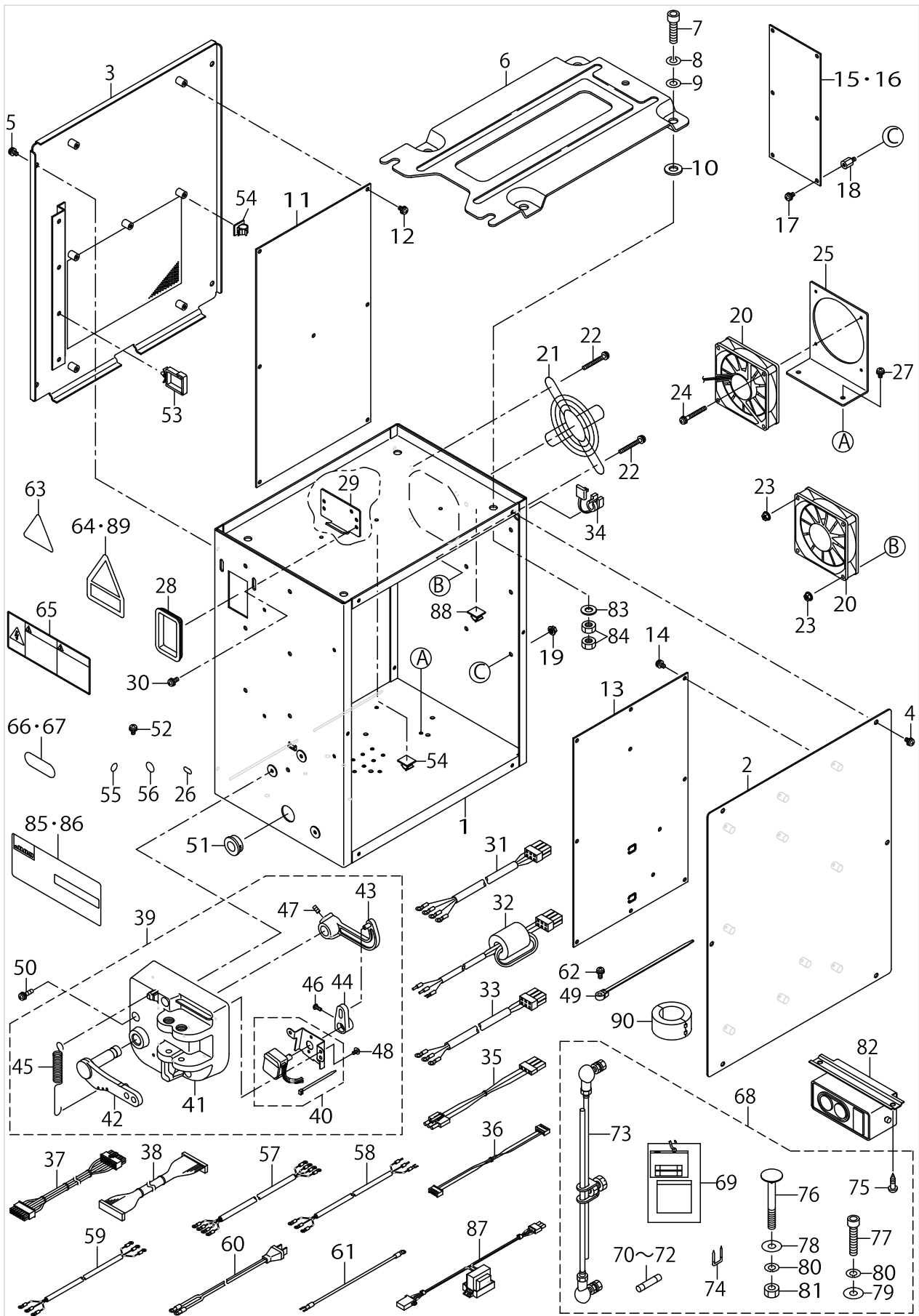


TABLE COMPONENTS

No.	Parts No.	Parts name	Remarks	Level	Cons	Qty
48	SM5040655SN	SCREW		*		3
49	SM6050652TP	HEXAGON SOCKET HEAD SCREW M5X6		*		4
50	40004364	SENSOR DETECTING PLATE		*		3
51	SD1000646TP	SHOULDER SCREW D=10 H=6.4		*		1
52	40004299	STOPPER PIN		*		1
53	40004327	SUSPENSION SCREW		*		2
54	SK3482001SE	WOOD SCREW D=4.8 L=20				2

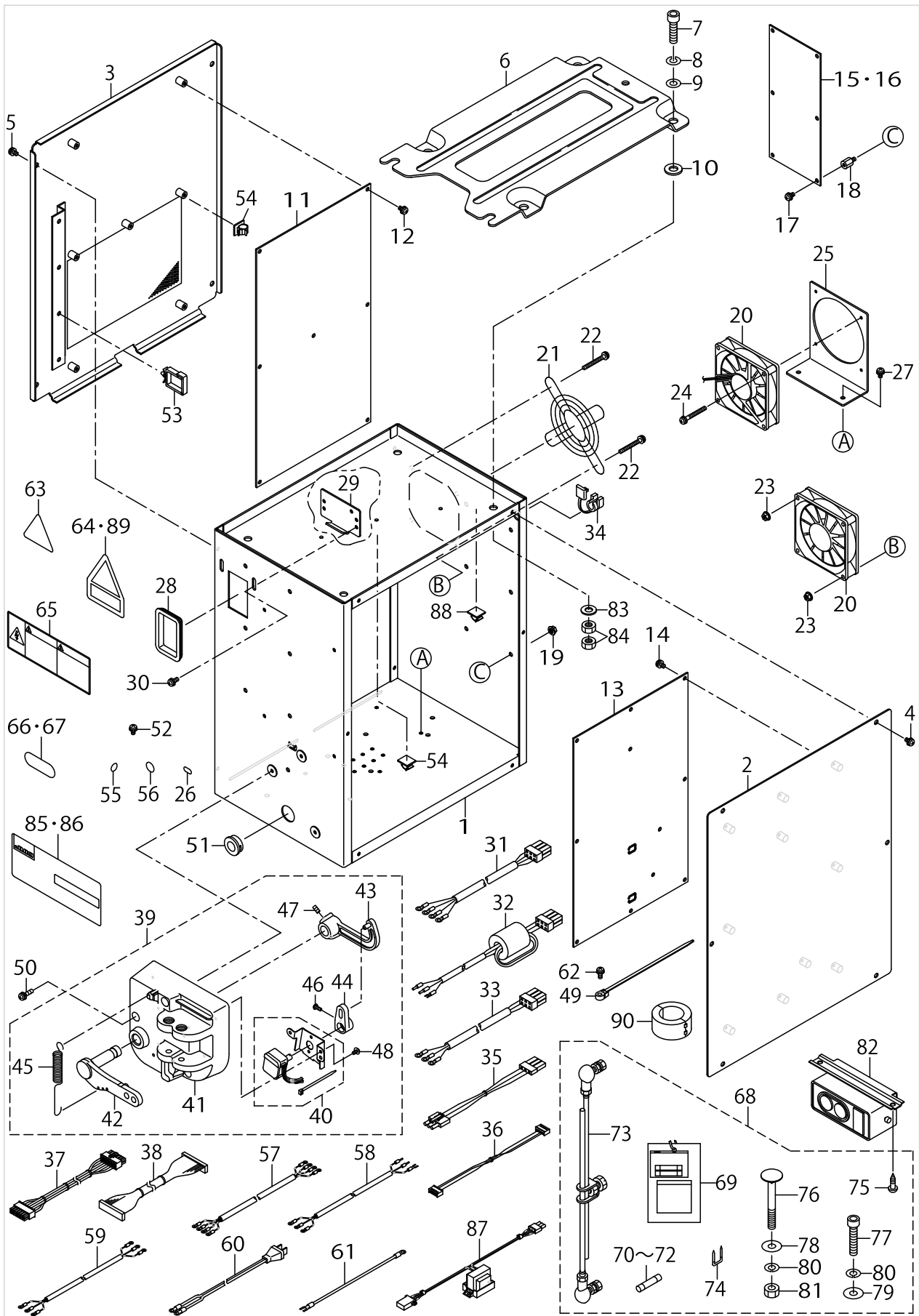
CONTROL BOX COMPONENTS



CONTROL BOX COMPONENTS

No.	Parts No.	Parts name	Remarks	Level	Cons	Qty
1	40003451	CONTROL BOX				1
2	40003452	CONTROL BOX FRONT COVER				1
3	40003453	CONTROL BOX REAR COVER				1
4	SL4040891SC	SCREW M4 L=8				6
5	SL4040891SC	SCREW M4 L=8				4
6	M3801476000	CONTROL BOX FITTING PLATE				1
7	SM6083002TN	SCREW M8 L=30				4
8	WS0820002KR	SPRING WASHER M8				4
9	WP0841601SC	WASHER 8.4X17.4X1.6				4
10	M4206461000	WASHER				4
11	40003412	MAIN PCB A ASS'Y				1
12	SL4040881SC	SCREW M4 L=8				7
13	40000029	SDC PCB A ASS'Y				1
14	SL4040881SC	SCREW M4 L=8				10
15	40000056	FLT-T PCB A ASS'Y	FOR EXPORT/USE IN JAPAN(3φ)			1
16	40000046	FLT-S PCB A ASS'Y	FOR EXPORT(1φ),CE			1
17	SL4040881SC	SCREW M4 L=8				6
18	HX003390000	STUD				6
19	NM3040520SC	NUT M4				6
20	40005401	FAN MOTOR ASS'Y				2
21	HM000480010	FINGER GUIDE				1
22	SL4043591SC	SCREW				4
23	NM3040520SC	NUT M4				4
24	SL4033091SC	SCREW M3 L=30				4
25	40005404	FAN MOTOR BRACKET				1
26	CM200100001	PE MARK LABEL	FOR CE			1
27	SL4040891SC	SCREW M4 L=8				2
28	HX004070000	BUSH				1
29	17845009	CORD FITTING PLATE				1
30	SL4041091SC	SCREW M4 L=10				2
31	40005391	POWER CORD 3P ASS'Y	FOR EXPORT/USE IN JAPAN(3φ)			1
32	40005392	POWER CORD 1P ASS'Y	FOR CE			1
33	40005388	POWER CORD 1P220V ASS'Y	FOR EXPORT(1φ)			1
34	HX00410000A	BUSHING				1
35	40005393	FLT-SDC CORD P ASS'Y	FOR EXPORT(1φ/3φ), USE IN JAPAN(1φ/3φ)			1
36	40005394	FLT-SDC CORD S ASS'Y				1
37	40005395	SDC-MAIN CORD P ASS'Y				1
38	40005396	SDC-MAIN CORD S ASS'Y				1
39	40003484	PEDAL SENSOR ASM.				1
40	40003485	SENSOR FITTING PLATE A ASM.		*		1
41	M4001461000	PEDAL SENSOR BASE		*		1
42	M4002461000	PEDAL LEVER		*		1
43	M4004461000	PEDAL RING		*		1
44	M4005461000	VOLUME LINK		*		1
45	M4007351000	FRONT SPRING		*		1
46	SM4030801SF	SCREW M3X0.5 L=8		*		1

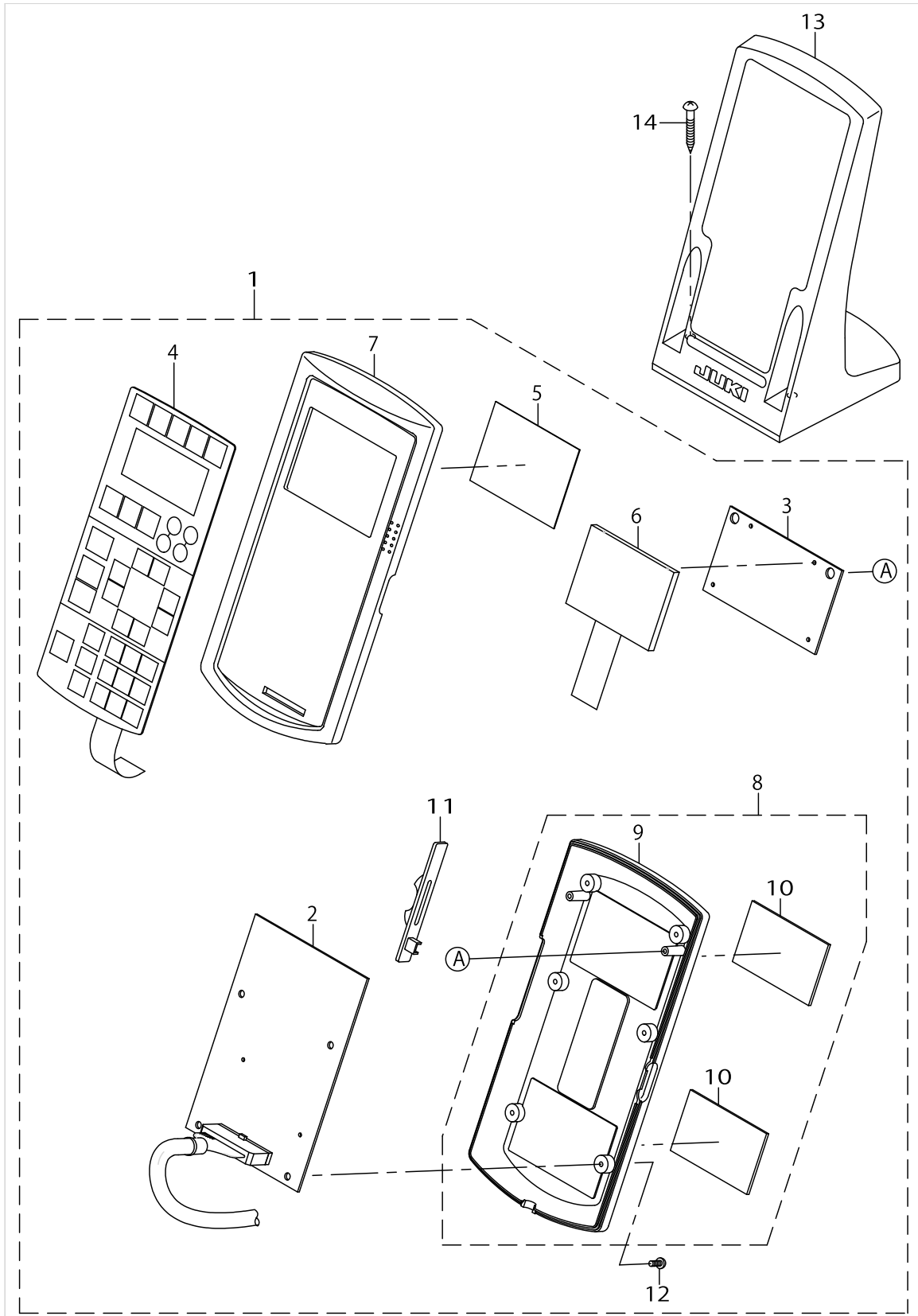
CONTROL BOX COMPONENTS



CONTROL BOX COMPONENTS

No.	Parts No.	Parts name	Remarks	Level	Cons	Qty
47	SM8040802TP	SCREW M4X8		*		2
48	SV4030601SR	SCREW M3 L=6		*		2
49	HX00151000A	CABLE PARTS	FOR CE			1
50	SL4041681SF	SCREW M4 L=16				3
51	HX00188000D	BUSH				1
52	SL4040891SC	SCREW M4 L=8				2
53	HX005110000	WIRE SADDLE				3
54	E9607603000	STICKER (SMALL)				2
55	E9567319000	EARTH MARK				1
56	40003458	MASK SEAL				10
57	M90175800A0	POWER CABLE ASM.	FOR EXPORT/USE IN JAPAN(3φ)			1
58	40005390	POWER CABLE JE ASS'Y	FOR CE			1
59	M90245800A0	POWER CABLE ASM. 100V	FOR EXPORT(1φ)			1
60	M90355800A0	POWER SOURCE CORD ASM.	FOR USE IN JAPAN(1φ)			1
61	M90195800A0	EARTH CABLE ASM.	FOR USE IN JAPAN(1φ)			1
62	SL4041081SC	SCREW M4 L=10	FOR CE			1
63	CM300100003	VOLTAGE WARNING LABEL(25)	FOR EXPORT(1φ),CE			1
64	CM300400601	VOLTAGE CAUTION LABEL	FOR EXPORT(1φ),CE			1
65	CM300100401	DANGER LABEL 3 (LARGE)	FOR EXPORT/USE IN JAPAN(3φ), USE IN JAPAN(1φ)			1
66	BME01100000	VOLTAGE INDICATION SEAL	FOR USE IN JAPAN(1φ)			1
67	BME03200000	VOLTAGE INDICATION SEAL	FOR EXPORT/USE IN JAPAN(3φ)			1
68	40005385	ACCESSORIE PARTS A ASM.	ACCESSORIE PARTS			1
69	M300451100A	VOLTAGE INDICATION CARD A		*		1
70	HF00130315S	FUSE 3.15A 250V REF. NO.112		*		1
71	HF003000200	FUSE 2A (220/240V)		*		1
72	HF0013050P0	FUSE 5A		*		1
73	22958458	CONNECTING ROD ASM. B		*		1
74	MAO11532000	CORD STAPLE		*		3
75	SK3512001SE	WOOD SCREW D=5.1 L=20		*		2
76	MTSHJ100003	BOLT		*		2
77	SM6084002TN	SCREW M8 L=40		*		1
78	WP0852086SC	WASHER M8		*		2
79	WP0841601SC	WASHER 8.4X17.4X1.6		*		1
80	WS0820002KR	SPRING WASHER M8		*		3
81	NM6080002SC	NUT M8		*		2
82	HA004250000	SWITCH	FOR EXPORT(1φ/3φ), USE IN JAPAN(1φ/3φ)			1
83	WP0841601SC	WASHER 8.4X17.4X1.6				4
84	NM6080001SC	NUT M8X1.25				8
85	40003480	RATING LABEL A	FOR EXPORT(1φ/3φ), USE IN JAPAN(1φ/3φ)			1
86	40003481	RATING LABEL B	FOR EXPORT(1φ),CE			1
87	40012038	REACTOR CORD ASSY	FOR CE			1
88	E9607603000	STICKER (SMALL)	FOR CE			1
89	CM300400701	VOLTAGE CAUTION LABEL	FOR EXPORT/USE IN JAPAN(3φ)			1
90	HN002460000	CORES	FOR CE			1

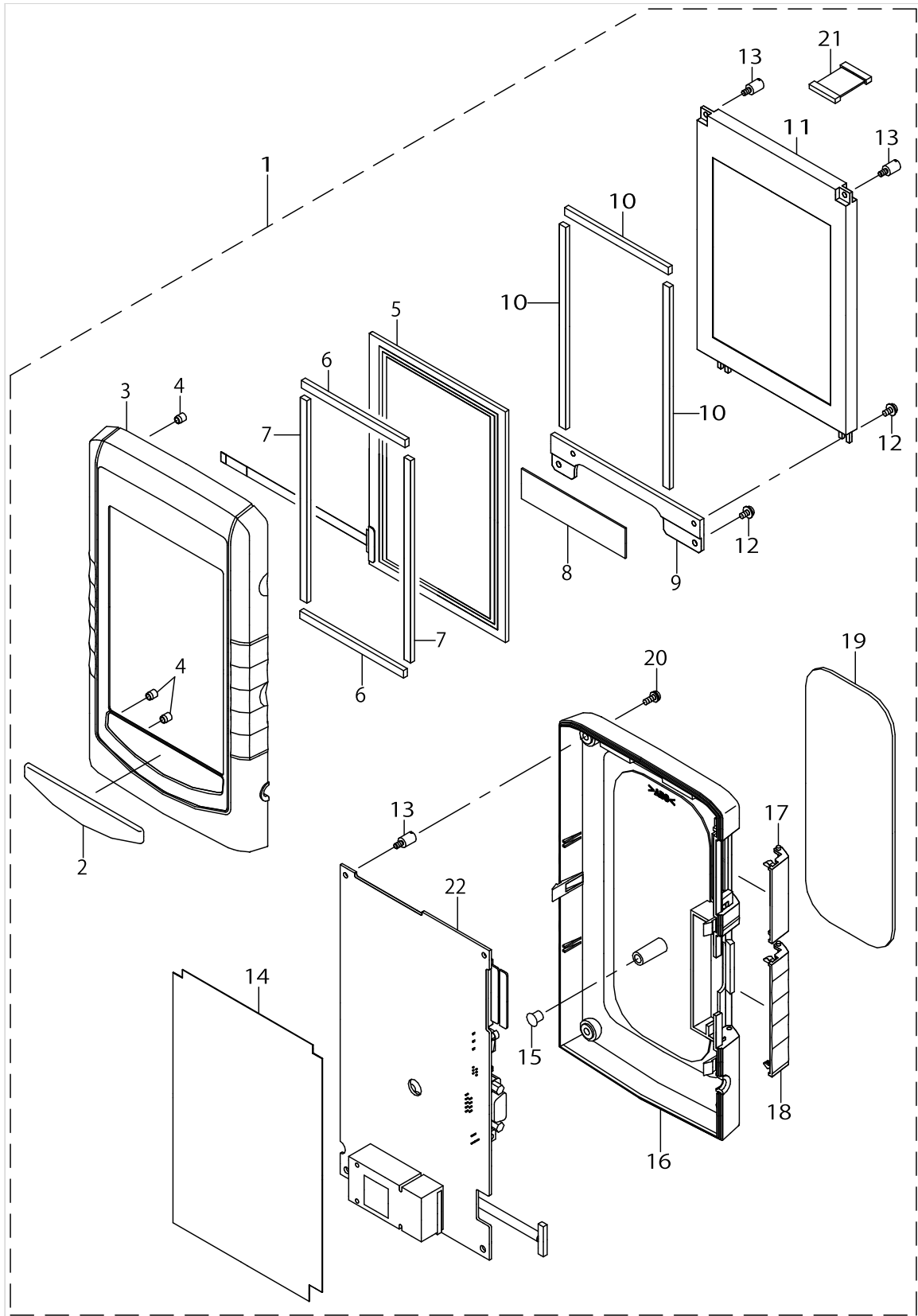
OPERATION BOX COMPONENTS



OPERATION BOX COMPONENTS

No.	Parts No.	Parts name	Remarks	Level	Cons	Qty
1	40003465	OPERATION PANEL A ASS'Y	FOR STANDARD PANEL MODEL			1
2	40003434	PANEL1 PCB A ASS'Y		*		1
3	40003441	PANEL2 PCB ASS'Y		*		1
4	40003460	PANEL SHEET		*		1
5	40003462	LCD SHEET		*		1
6	HG007470000	LCD MODULE		*		1
7	40003464	OPERATION BOX UPPER CASE		*		1
8	M10315800A0	OPERATION BOX LOWER CASE ASM.		*		1
9	M1031580000	OPERATION BOX LOWER CASE		*		1
10	M1011580000	MAGNET SHEET		*		2
11	M1032580000	VOLUME TONGUE		*		1
12	ST4031051SN	TAPPING SCREW D=3-24 L=10		*		6
13	40035024	OPERATION_BOX_FIXED_PLATE(B)ASM.				1
14	SK3413201SE	WOOD SCREW D=4.1 L=32				2

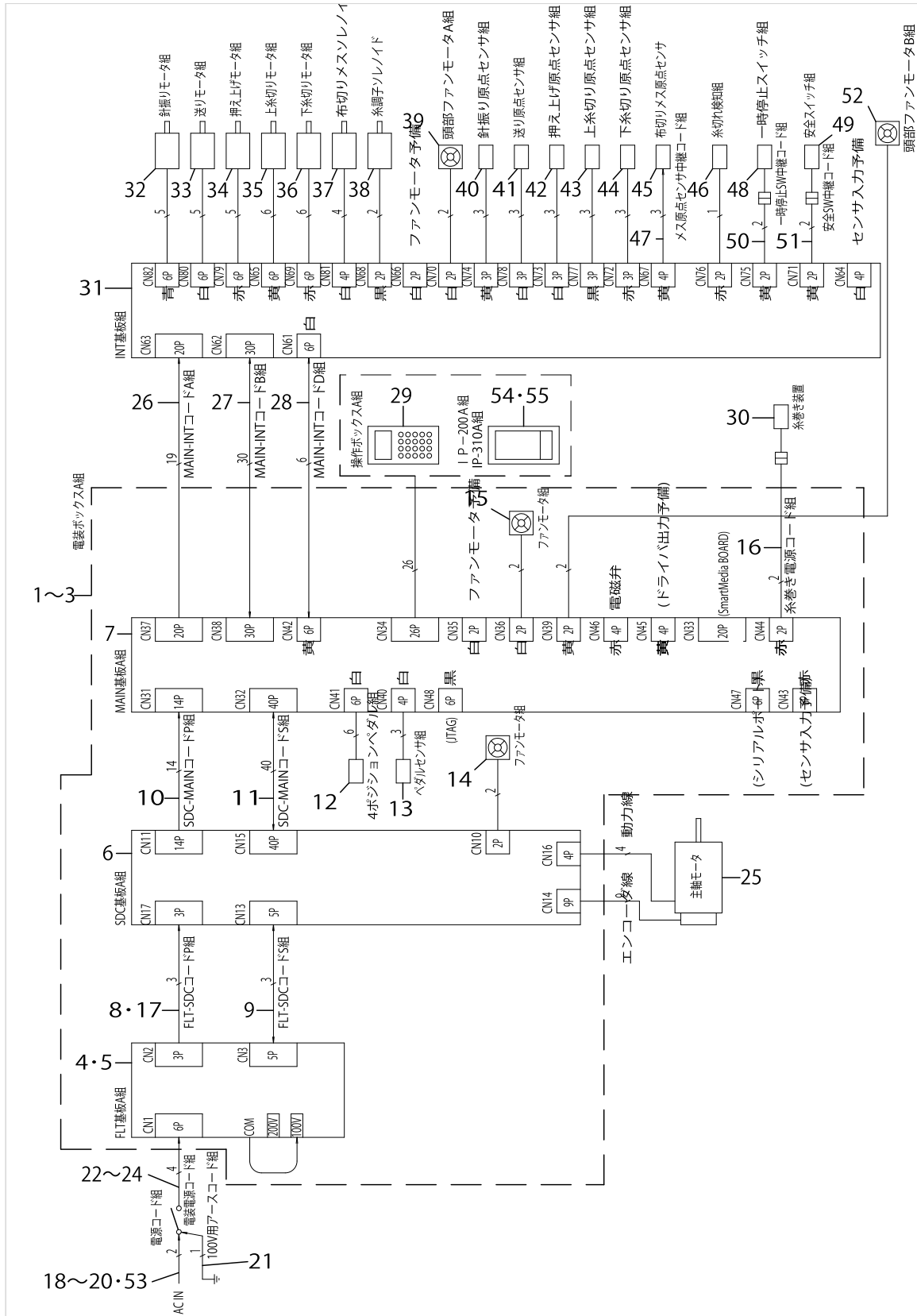
OPERATION PANEL COMPONENTS



OPERATION PANEL COMPONENTS

No.	Parts No.	Parts name	Remarks	Level	Cons	Qty
1	40009938	IP-200A_ASSY	FOR IP PANEL MODEL			1
2	40000131	NAME_PLATE		*		1
3	40000132	OPERATION_PANEL_F		*		1
4	40000133	INSERT_NUT		*		6
5	A3906010000	TOUCH PANEL		*		1
6	40000134	TTP_H_FELT		*		2
7	40000135	TTP_V_FELT		*		2
8	40000136	KEY_SHEET		*		1
9	40000137	LCD_BASE_PLATE		*		1
10	40000138	BOTHSIDES_TAPE		*		3
11	A39500100A0	LCD		*		1
12	SL4030691SC	SCREW M3X6		*		4
13	40000139	STUD		*		6
14	40000140	ISOLATION_SHEET		*		1
15	TA0550604R0	RUBBER PLUG		*		1
16	40000141	OPERATION_PANEL_R		*		1
17	40000142	SM_COVER		*		1
18	40000143	SERIAL_COVER		*		1
19	40000144	OPERATION_PANEL_MAGNET		*		1
20	SL4030881SC	SCREW M3X8		*		4
21	40000146	LCD_CABLE_ASS'Y		*		1
22	40000148	PANEL_PCB_A_ASS'Y		*		1

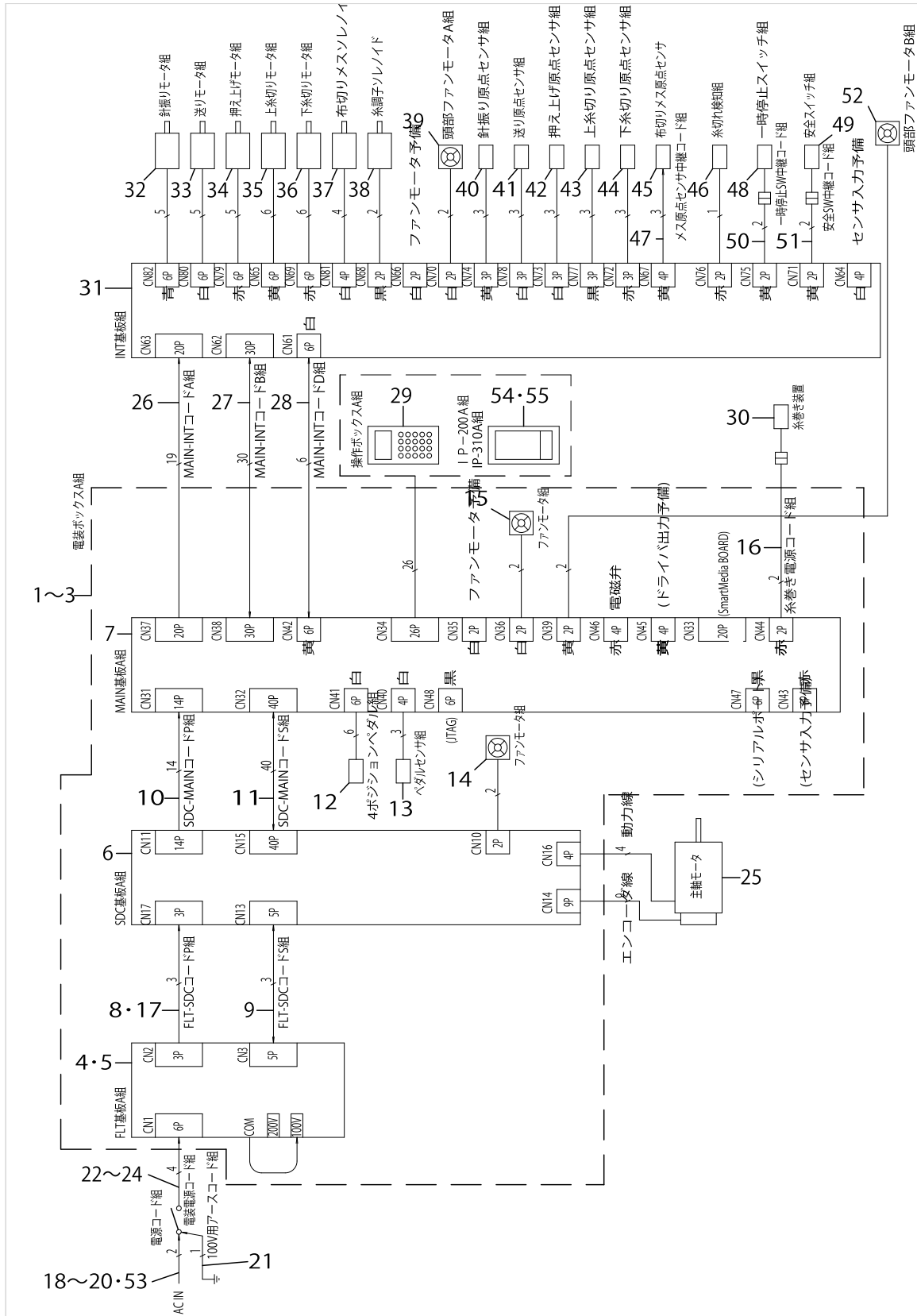
WIRING DIAGRAM



WIRING DIAGRAM

No.	Parts No.	Parts name	Remarks	Level	Cons	Qty
1	40003454	CONTROL BOX A ASM.	FOR USE IN JAPAN(1 φ 100V) FOR EXPORT/USE IN JAPAN (3 φ 200V)			1
2	40003456	CONTROL BOX C ASM.	FOR EXPORT(1 φ 220~240V)			1
3	40003455	CONTROL BOX B ASM.	FOR CE(1 φ 230V)			1
4	40000056	FLT-T PCB A ASS'Y	FOR USE IN JAPAN(1 φ 100V) FOR EXPORT/USE IN JAPAN (3 φ 200V)	*		1
5	40000046	FLT-S PCB A ASS'Y	FOR EXPORT(1 φ 220~240V) FOR CE(1 φ 230V)	*		1
6	40000029	SDC PCB A ASS'Y		*		1
7	40003412	MAIN PCB A ASS'Y		*		1
8	40005393	FLT-SDC CORD P ASS'Y	FOR EXPORT/USE IN JAPAN (3 φ - 200V), EXPORT(1 φ 220~240V), USE IN JAPAN(1 φ 100V)	*		1
9	40005394	FLT-SDC CORD S ASS'Y		*		1
10	40005395	SDC-MAIN CORD P ASS'Y		*		1
11	40005396	SDC-MAIN CORD S ASS'Y		*		1
12	40003491	ASSY 4 POSITION PEDAL		*		1
13	40003484	PEDAL SENSOR ASM.		*		1
14	40005401	FAN MOTOR ASS'Y		*		1
15	40005401	FAN MOTOR ASS'Y		*		1
16	40005405	WINDER CORD ASS'Y		*		1
17	40012038	REACTOR CORD ASSY	FOR CE(1 φ 230V)	*		1
18	M90175800A0	POWER CABLE ASM.	FOR EXPORT/USE IN JAPAN (3 φ 200V)			1
19	M90245800A0	POWER CABLE ASM. 100V	FOR EXPORT(1 φ 220~240V)			1
20	40005390	POWER CABLE JE ASS'Y	FOR CE(1 φ 230V)			1
21	M90345800A0	GROUND CORD ASM.	FOR USE IN JAPAN(1 φ 100V)			1
22	40005391	POWER CORD 3P ASS'Y	FOR USE IN JAPAN(1 φ 100V) FOR EXPORT/USE IN JAPAN (3 φ 200V)			1
23	40005388	POWER CORD 1P220V ASS'Y	FOR EXPORT(1 φ 220~240V)			1
24	40005392	POWER CORD 1P ASS'Y	FOR CE(1 φ 230V)			1
25	40028015	AC SERVO MOTOR				1
26	40005397	MAIN-INT CORD A ASS'Y				1
27	40005398	MAIN-INT CORD B ASS'Y				1
28	40005399	MAIN-INT CORD D ASS'Y				1
29	40003465	OPERATION PANEL A ASS'Y	FOR STANDARD PANEL MODEL			1
30	G50011980A0A	BOBBIN WINDER ASM.				1
31	40003422	INT PCB ASS'Y				1
32	40005371	NEEDLE SWING MOTOR ASS'Y				1
33	40005372	FEED MOTOR ASS'Y				1
34	40005373	CLAMP MOTOR ASS'Y				1
35	40005374	UT TRIM MOTOR ASS'Y				1
36	40005375	LT TRIM MOTOR ASS'Y				1
37	40004382	SOLENOID				1
38	40006261	ASSY AT SOLENOID				1
39	40119461	HEAD FAN MOTOR A ASSY				1
40	40005377	NEEDLE SWING SENSOR ASSY				1
41	40005378	FEED SENSOR ASS'Y				1
42	40005379	CLAMP SENSOR ASS'Y				1
43	40005380	UT TRIM SENSOR ASS'Y				1
44	40005381	LT TRIM SENSOR ASS'Y				1
45	HD00057000A	PHOTO SENSOR				1

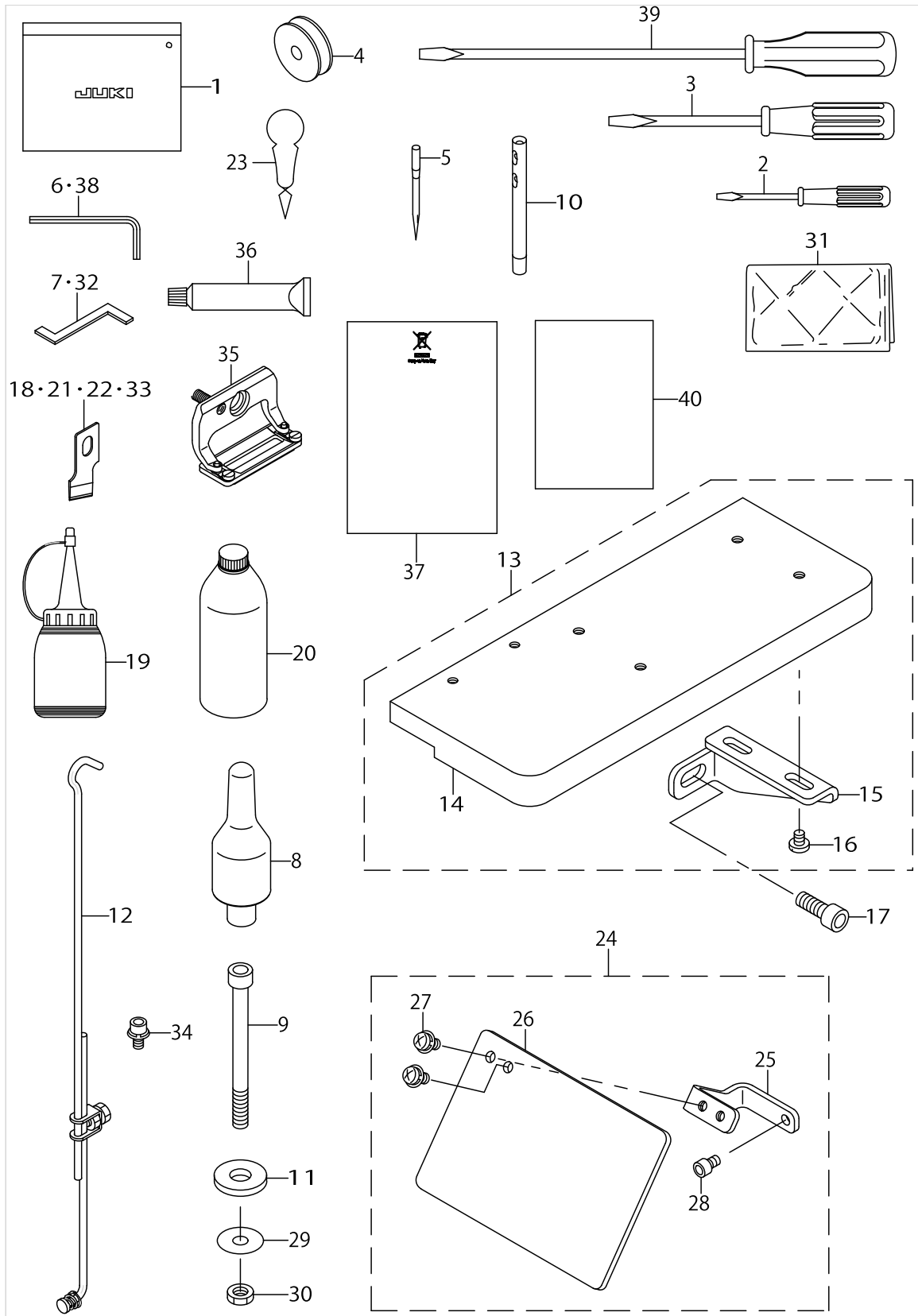
WIRING DIAGRAM



WIRING DIAGRAM

No.	Parts No.	Parts name	Remarks	Level	Cons	Qty
46	40003499	THREAD BREAK DETECTOR A				1
47	40005382	CUTTER SENSOR JOINT CORD				1
48	32002354	SWITCH ASM.				1
49	40003495	SAFETY SWITCH ASS'Y				1
50	40005400	PAUSE SWITCH JOINT CORD				1
51	40003497	SAFETY SWITCH JOINT CORD				1
52	40005403	HEAD FAN MOTOR B ASS'Y				1
53	M90355800A0	POWER SOURCE CORD ASM.	FOR USE IN JAPAN(1 ϕ 100V)			1
54	40009938	IP-200A_ASSY	FOR IP PANEL MODEL			1
55	40059371	IP-310A_ASSY	FOR IP PANEL MODEL			1

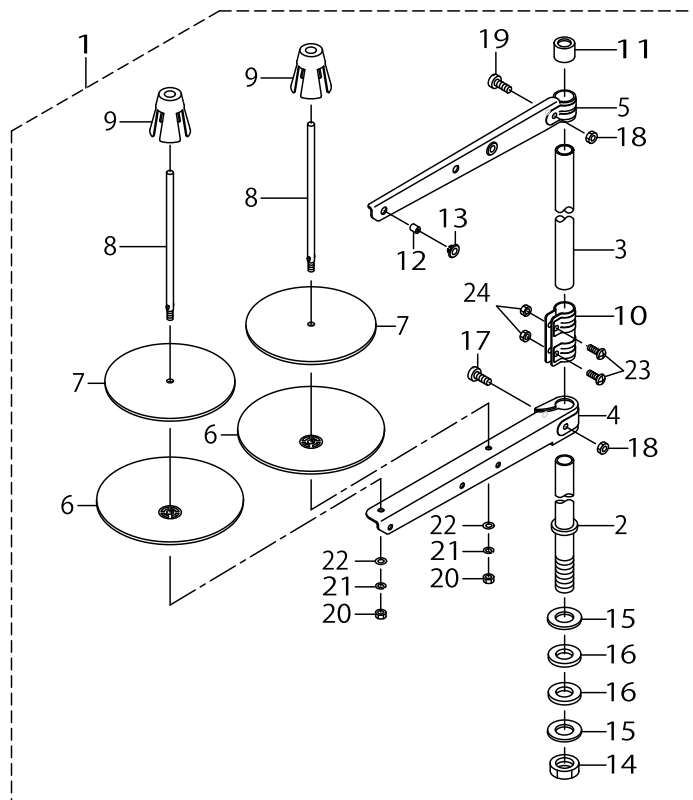
ACCESSORIE PARTS COMPONENTS



ACCESSORIE PARTS COMPONENTS

No.	Parts No.	Parts name	Remarks	Level	Cons	Qty
1	22932800	ACCESSORIE BAG				1
2	22933204	SCREW DRIVER SMALL				1
3	22933105	SCREW DRIVER MIDDLE				1
4	40009148	BOBBIN				1
5	MDP5J0B1102	NEEDLE DPX5 #11J-2				1
6	J106600000D	HEXAGONAL WRENCH KEY				1
7	13782107	HOOK TIMING GAUGE K	FOR LBH-1792K			1
8	14101208	HEAD SUPPORT BAR				1
9	SM6067052TP	HEXAGON BOLT				4
10	22502504	THREAD GUIDE BAR				1
11	D6056555B00	RUBBER CUSHION (B)				4
12	26104851	CONNECTING ROD COMPL.				1
13	40008890	AUXILIARY TABLE ASM.				1
14	40008889	AUXILIARY TABLE		*		1
15	13785803	INSTALLING PLATE		*		2
16	SS7110570SP	SCREW 11/64-40 L=4.8		*		4
17	SM6061002TP	SCREW M6 L=10				2
18	B2702047Q00A	KNIFE 1	FOR LBH-1790S			1
19	J1067000000	OILER				1
20	MDFRX1600C0	DEFRIX OIL NO.1(600CC)				1
21	B2702047M00A	KNIFE 5/8				1
22	B2702047L00A	KNIFE 1/2	FOR LBH-1792K			1
23	B9107761000	THREAD PASSING INSTRUMENT				1
24	40052047	ASSY SAFETY PLATE B				1
25	40049424	SAFETY PLATE BESE		*		1
26	B3120372000	SAFETY PLATE		*		1
27	SL4040891SC	SCREW M4 L=8		*		2
28	SM6040602TP	SCREW M4 L=6		*		1
29	WP0612056SD	WASHER 6.1X18.5X2				4
30	NM6060001SD	NUT M6				8
31	26234005	VINYL COVER				1
32	13943402	TIMING GAUGE	FOR LBH-1790S			1
33	B2702047K00A	KNIFE 3/8	FOR LBH-1790S			1
34	SL6040892TN	BOLT				1
35	B15527820A0	PRESSER FOOT 2 ASM.	FOR LBH-1790S			1
36	40006323	JUKI GREASE A TUBE				1
37	CM600100201	WEEE INFORMATION SHEET				1
38	GCT02906000	HEXAGONAL SPANNER				1
39	22933006	SCREW DRIVER LARGE				1
40	29180403	EC PRODUCTION DECLARATION				1

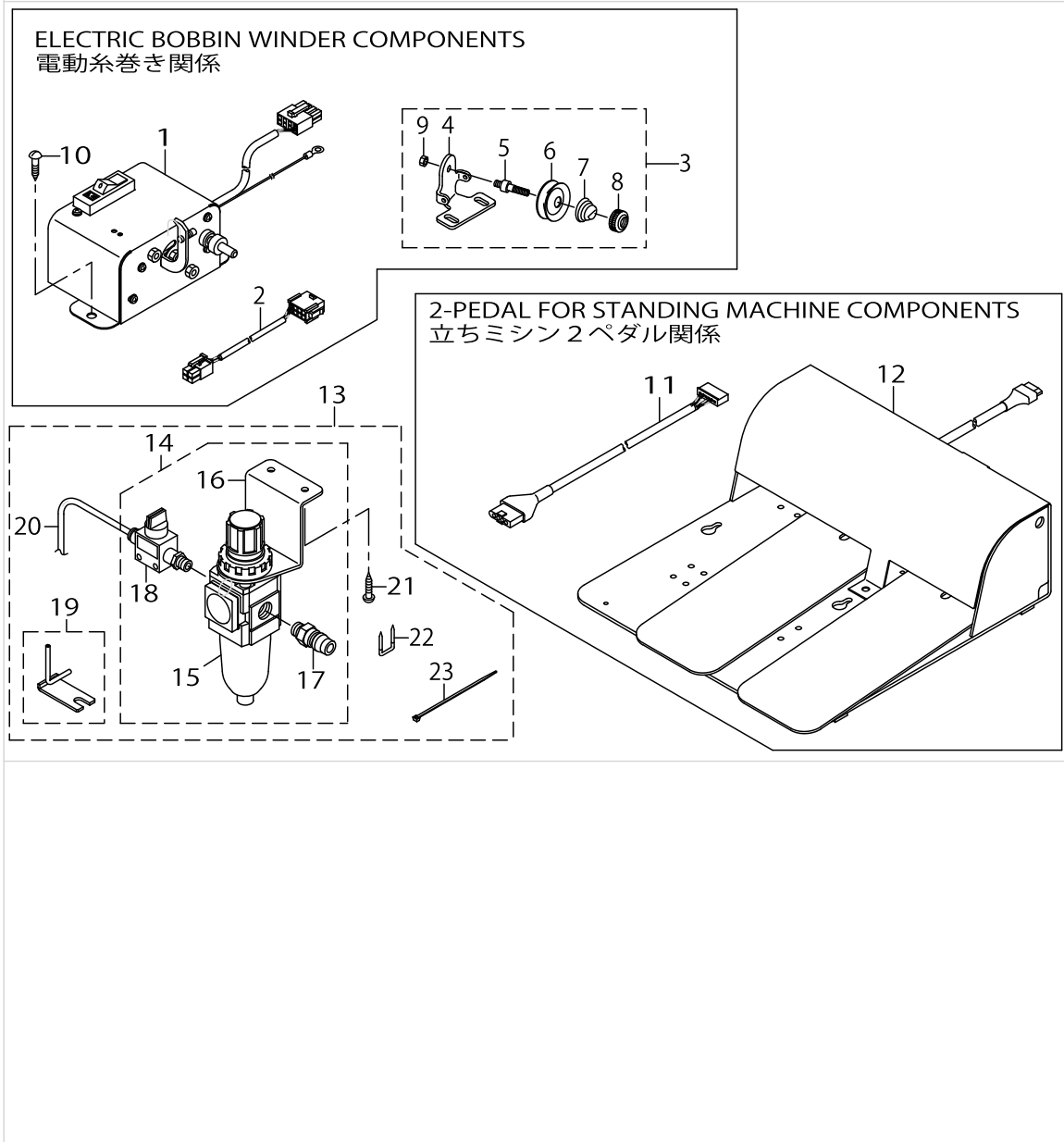
THREAD STAND COMPONENTS



THREAD STAND COMPONENTS

No.	Parts No.	Parts name	Remarks	Level	Cons	Qty
1	40096354	THREAD STAND ASM.				1
2	40085784	SPOOL REST ROD LOWER		*		1
3	40085785	SPOOL REST ROD UPPER		*		1
4	40085786	SPOOL REST ARM LOWER		*		1
5	40085787	SPOOL REST ARM UPPER		*		1
6	40085788	SPOOL REST		*		2
7	40085789	SPOOL REST CUSHION		*		2
8	40085790	SPOOL PIN		*		2
9	40085791	SPOOL RETAINER		*		2
10	40085792	SPOOL REST ROD JOINT		*		1
11	40085793	SPOOL REST ROD RUBBER CAP		*		1
12	40085794	THREAD GUIDE		*		2
13	40085795	THREAD GUIDE BUSHING		*		2
14	40096325	SPOOL REST ROD NUT		*		1
15	WP1612616SE	WASHER 16X30X2.6		*		2
16	40085796	SPOOL REST ROD RUBBER CUSHION		*		2
17	40096326	SPOOL REST ARM LOWER SCREW		*		1
18	NM6050001SE	NUT M5		*		2
19	40096327	SPOOL REST ARM UPPER SCREW		*		1
20	NM6050001SE	NUT M5		*		2
21	WS0510002KN	SPRING WASHER M5		*		2
22	WP0531001SC	WASHER M5		*		2
23	SM4051405SE	SCREW M5 L=14		*		2
24	NM6050001SE	NUT M5		*		2

SPECIAL SPECIFICATIONS COMPONENTS (1)

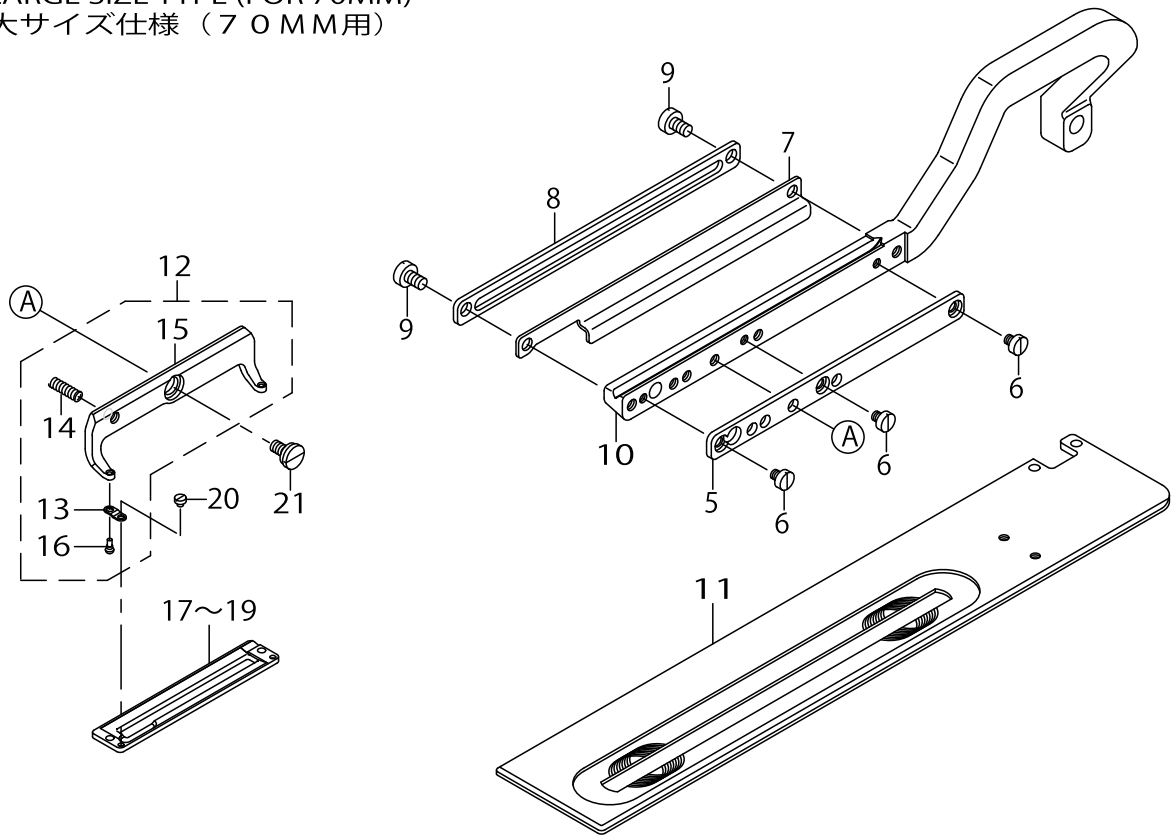


SPECIAL SPECIFICATIONS COMPONENTS (1)

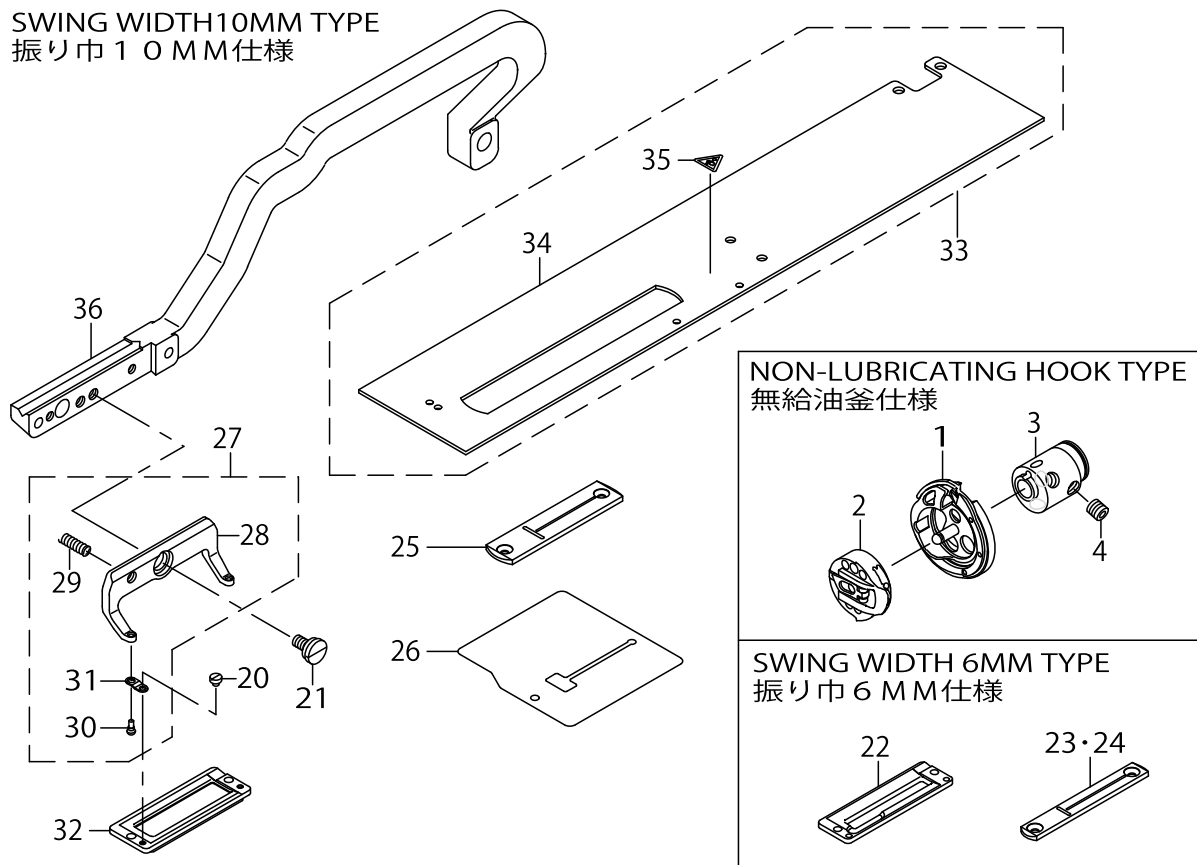
No.	Parts No.	Parts name	Remarks	Level	Cons	Qty
1	G50011980A0A	BOBBIN WINDER ASM.				1
2	40005405	WINDER CORD ASS'Y				1
3	B32217710A0	BOBBIN WINDER TENSION BRACKET				1
4	B3221771000	BOBBIN WINDER TENSION BRACKET		*		1
5	B3219232000	BOBBIN WINDER TENSION POST		*		1
6	B3214047000	BOBBIN WINDER TENSION DISC		*		2
7	B3218232000	BOBBIN WINDER TENSION SPRING		*		1
8	B3216047000	BOBBIN WINDER TENSION NUT		*		1
9	NS6110310SP	NUT 11/64-40		*		1
10	SK3452000SC	WOOD SCREW D=4.5 L=20				4
11	40003493	PK PEDAL JOINT CORD ASS'Y				1
12	GPK510010B0	PEDAL SWITCH ASM.				1
13	40097040	HOOK COOLING UNIT B				1
14	40023432	FILTER REGULATOR ASM.		*		1
15	PF0551060A0	FILTER REGULATOR		*		1
16	PF902005000	REGULATOR BRACKET		*		1
17	PJ025100003	PLUG		*		1
18	PV015122000	FINGER VALVE		*		1
19	40094012	PIPE BRACKET ASM.		*		1
20	BT0400251EB	URETHANE HOSE BLACK		*		1.5
21	SK3412001SE	WOOD SCREW D=4.1 L=20		*		2
22	MAO11532000	CORD STAPLE		*		2
23	EA9500B0100	CABLE BAND		*		2

SPECIAL SPECIFICATIONS COMPONENTS (2)

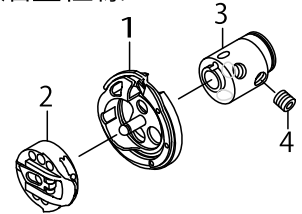
LARGE SIZE TYPE (FOR 70MM)
大サイズ仕様 (70MM用)



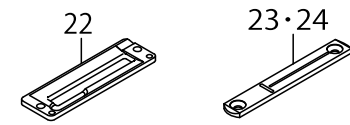
SWING WIDTH 10MM TYPE
振り巾 10MM仕様



NON-LUBRICATING HOOK TYPE
無給油釜仕様




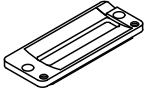
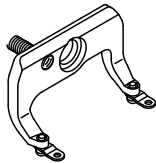
SWING WIDTH 6MM TYPE
振り巾 6MM仕様



SPECIAL SPECIFICATIONS COMPONENTS (2)

No.	Parts No.	Parts name	Remarks	Level	Cons	Qty
1	40006345	RP_HOOK_ASM.				1
2	40006349	RP_BOBBIN_CASE				1
3	13729603	HOOK SLEEVE				1
4	SS8660612TP	SCREW 1/4-40 L=6				4
5	40006340	WORK_CLAMP HOLDER_SPACE	FOR PRESSER 70MM			1
6	SM6040450TP	SCREW M4 L=4	FOR PRESSER 70MM			3
7	40028682	UTT_CLOSE_CAM_120B				1
8	40112711	LIFTING_PLATE_120				1
9	SM6050800SP	SCREW M5 L=8				2
10	40006335	WORK_CLAMP_ARM_120				1
11	40006339	WORK_CLAMP_CARRIER_120				1
12	14523252	PRESSER FOOT 70 ASM.	FOR PRESSER 70MM			1
13	B1509761000	PRESSER FITTING PLATE SPRING		*		2
14	B1512761000	PRESSER FOOT HOLDER SPRING		*		1
15	14523203	PRESSER FOOT 70		*		1
16	B151077100B	PRESSER FOOT PIN B		*		2
17	14523708	URETHANE PRESSER 70	FOR PRESSER 70MM			1
18	14524102	PRESSER 70 (FLAT)	FOR PRESSER 70MM			1
19	14523401	PRESSER 70	FOR PRESSER 70MM			1
20	SS6060210SP	SCREW 3/32-56 L=1.9				6
21	SD0790203SP	HINGE SCREW D=7.94 H=2	FOR PRESSER 70MM			3
22	14524409	PRESSER 6MM	FOR SWING WIDTH 6MM			1
23	40004351	THROAT_PLATE(S6)	FOR SWING WIDTH 6MM			1
24	40004353	THROAT_PLATE(K6)	FOR SWING WIDTH 6MM			1
25	40015733	THROAT_PLATE(S10)	FOR SWING WIDTH 10MM			1
26	40015802	OIL_SHIELD_10	FOR SWING WIDTH 10MM			1
27	40020010	WORK_CLAMP HOLDER(3-10)_ASSY	FOR SWING WIDTH 10MM			1
28	40020011	WORK_CLAMP HOLDER(3-10)		*		1
29	40008638	WORK_CLAMP_CHECK HOLDER_SPRING_B		*		1
30	B151077100B	WORKCLAMPCHECKSPRINGSETPIN(B)		*		2
31	B1509761000	WORK_CLAMP CHECK SPRING		*		2
32	40017810	WORK_CLAMP(3S-10)	FOR SWING WIDTH 10MM			1
33	40020014	WORK_CLAMP_CARRIER(10X41)_CL	FOR SWING WIDTH 10MM			1
34	40020012	WORK_CLAMP_CARRIER(10X41)		*		1
35	CM300200001	ATTENTION SEAL		*		1
36	40020013	WORK_CLAMP_ARM(10X41)	FOR SWING WIDTH 10MM			1

EXCHANGING PARTS

Cloth Cutting Knife 布切りメス		Presser Foot (Length of Cloth Cutting Knife) 押え (布切りメス長さ)			Presser Foot (Presser Size) 押え足 (押えサイズ)
					
標準 Standard		標準 Standard	メリヤス用 For Hoisier	標準 (振り巾6mm) Standard (For swing width 6mm)	標準 Standard
inch	mm	Ref.no	Ref.no	Ref.no	Ref.no
1/4	6.4	1	12 (6.4 ~ 19.1 mm)	15 (6.4 ~ 19.1 mm)	18 (6.4 ~ 31.8 mm)
3/8	9.5	2			
7/16	11.1	3			
1/2	12.7	4			
9/16	14.3	5			
5/8	15.9	6			
1 1/16	17.5	7			
3/4	19.1	8			
7/8	22.2	9	13 (6.4 ~ 25.4 mm)	16 (6.4 ~ 25.4 mm)	19 (Type 1)
1	25.4	10			20 (Type 2)
1-1/4	31.8	11			14 (6.4 ~ 31.8mm)

EXCHANGING PARTS

No.	Parts No.	Parts name	Remarks	Level	Cons	Qty
1	B2702047F00	KNIFE 1/4				1
2	B2702047K00A	KNIFE 3/8				1
3	B2702047I00	KNIFE (7/16)				1
4	B2702047L00A	KNIFE 1/2				1
5	B2702047V00	KNIFE 9/16				1
6	B2702047M00A	KNIFE 5/8				1
7	B2702047A00	KNIFE 11/16				1
8	B2702047N00	KNIFE 3/4				1
9	B2702047P00	KNIFE 7/8				1
10	B2702047Q00A	KNIFE 1				1
11	B2702047S00A	KNIFE 1-1/4				1
12	B1552781000A	PRESSER				1
13	B1552782000	WORK CLAMP CHECK 2				1
14	B1552783000	WORK CLAMP CHECK 3				1
15	D1508771K00A	LATCH WORK CLAMP CHECK				1
16	D1508772K00	WORK CLAMP CHECK (2K)				1
17	D1508773K00	WORK CLAMP CHECK (3K)				1
18	14524409	WORK CLAMP CHECK				1
19	D1511771KA0A	WORK CLAMP CHECK HOLDER ASM.				1
20	D1511772KA0	WORK CLAMP CHECK HOLDER ASM.				1
21	D1511773KA0	WORK CLAMP CHECK HOLDER ASM.				1

LIST FOR INFORMATION OF CHANGE

As to the place changed, refer to the corresponding Rev.No.
 When previous parts(Obsoleted part)and new parts(Added parts)are not interchangeable with each other:
 In this case, even obsoleted parts(D.) can be ordered with the obsoleted part number, so select the parts with changed dates and place your orders.

変更箇所は、該当Rev.No.版をご参照ください。
 部品の互換性がない変更の場合は、削除された品番でも、ご注文できます。

40004369
 No.1346-10・・・Rev.No.

*A: Added parts追加部品/D: Obsoleted parts削除部品/E: Erratum訂正

* Rev. No.	Page 頁	Ref. No.	Parts No. 品番	* Rev. No.	Page 頁	Ref. No.	Parts No. 品番	
D	09	20	26	400-80415				
				A	10	20	26	401-41850
D	09	20	32	WP-0522016-SH				
D	09	20	48	400-56603				

HOW TO MAKE USE OF THIS PARTS LIST

1.Explanation of codes

1)"*"mark.....means this part is changed from the previous parts book.

As to the details of the change, refer to the "List for information of change".

2)"#01".....refer to "Note" explanation at bottom of page.

2.Codes on the "Qty" column

- Each numeral indicates the number of parts required.
- "0.1" and "2.5" indicate the length (in meters) of the respective parts.

3.Parentheses mean that the corresponding part is a subpart that constructs an assembly part.

4.Dotted lines on the Figures indicate assembly parts.

1."注記"欄の記号説明

1) "*"印.....前回のパーツブックに比較して今回変更された部品を意味します。

変更内容は、"変更情報リスト"を参照してください。

2) "#01".....ページ下の"注記"の説明を参照してください。

2.数量欄の数字は、個数を表し、0.1、2.5等の数値は、長さ（単位メートル）を表します。

3.数量欄の（ ）は、組部品を構成している子部品であることを意味します。

4.イラストページの-----枠は、組構成であることを意味します。

NUMERICAL INDEX OF PARTS

PART NO	PAGE	REF NO.	PART NO	PAGE	REF NO.	PART NO	PAGE	REF NO.
10006104	6	18	13926308	16	46	26260307	6	30
11050804	10	9	13943303	4	56	26260406	6	31
11072402	8	62	13943402	50	7-32	26260505	6	32
11093606	8	63	14101208	50	8	26260604	6	33
11155108	34	3	14504401	14	17	26260802	6	35
11155207	34	4	14516603	4	75	26261206	6	39
11157559	34	8	14516801	30	64	26261305	6	40
11157666	34	9	14516900	4	77	26261503	6	41
11157765	34	10	14523203	56	15	26261602	6	42
11157963	34	11	14523252	56	12	26261701	6	43
11158060	34	12	14523401	56	17~19	29180403	50	40
11158300	34	13	14523708	56	17~19	32002354	2	39
11158409	34	14	14524102	56	17~19	32002354	48	48
11158516	34	21	14524409	56	22	32055402	6	21
11158607	34	15	14524409	58	18	40000029	38	13
11159001	34	25	17007402	34	16	40000029	46	6
11272507	24	24	17845009	38	29	40000046	38	15-16
13127402	16	43	22502504	2	42	40000046	46	4-5
13700406	4	51	22502504	50	10	40000056	38	15-16
13700505	4	52	22528764	2	41	40000056	46	4-5
13700604	4	50	22529473	8	60	40000131	44	2
13700703	4	62	22529481	8	59	40000132	44	3
13705405	4	69	22891204	10	41	40000133	44	4
13706403	22	38	22891204	16	3	40000134	44	6
13710306	14	11	22932800	50	1	40000135	44	7
13710405	14	20	22933006	50	39	40000136	44	8
13710504	10	7	22933105	50	3	40000137	44	9
13710504	14	12	22933204	50	2	40000138	44	10
13727102	30	54	22958458	40	73	40000139	44	13
13729066	14	13-16	23530405	22	4	40000140	44	14
13729306	30	55	23536204	14	6	40000141	44	16
13729603	56	3	23605207	10	25	40000142	44	17
13729660	14	10	23630007	14	26	40000143	44	18
13729769	14	29	23636400	10	24	40000144	44	19
13731906	34	38	23638109	4	78	40000146	44	21
13737408	28	29	23638208	4	80	40000148	44	22
13738802	32	45	23638307	4	79	40003412	38	11
13746508	32	21	23638406	4	81	40003412	46	7
13750807	32	25	26104851	50	12	40003422	46	31
13782065	14	13-16	26230409	2	13	40003434	42	2
13782107	50	7-32	26230409	8	58	40003441	42	3
13785803	50	15	26230409	30	79	40003451	38	1
13817754	34	24	26234005	50	31	40003452	38	2
13900956	2	17	26260109	6	28	40003453	38	3
13922208	4	70	26260208	6	29	40003454	46	1~3

NUMERICAL INDEX OF PARTS

PART NO	PAGE	REF NO.	PART NO	PAGE	REF NO.	PART NO	PAGE	REF NO.
40003455	46	1~3	40004187	14	9	40004254	24	6
40003456	46	1~3	40004188	14	5	40004254	28	11
40003458	40	56	40004192	10	35	40004255	26	70
40003460	42	4	40004194	16	5	40004264	24	33
40003462	42	5	40004195	18	86	40004265	24	34
40003464	42	7	40004197	16	7	40004266	16	29
40003465	42	1	40004198	16	8	40004267	16	42
40003465	46	29	40004199	16	27	40004270	16	35
40003480	40	85·86	40004200	16	9	40004271	18	53
40003481	40	85·86	40004201	16	10	40004272	18	57
40003484	38	39	40004203	16	12	40004273	16	31
40003484	46	13	40004204	16	13	40004274	18	52
40003485	38	40	40004205	16	18	40004275	16	33
40003491	34	37	40004206	10	46	40004276	18	49
40003491	46	12	40004209	10	45	40004277	18	56
40003493	54	11	40004211	32	44	40004278	16	36
40003495	4	74	40004212	22	30	40004279	18	51
40003495	48	49	40004213	22	31	40004280	18	50
40003496	4	76	40004214	22	25	40004281	16	47
40003497	48	51	40004215	22	36	40004282	16	34
40003499	6	26	40004216	22	34	40004283	18	54
40003499	48	46	40004217	22	35	40004285	18	48
40004153	2	1	40004218	22	33	40004286	18	55
40004154	2	3	40004219	32	23	40004287	18	58
40004155	2	5	40004221	22	32	40004288	18	59
40004156	2	9	40004222	22	29	40004289	16	41
40004157	2	7	40004223	22	1	40004291	16	32
40004158	2	43	40004224	22	21	40004292	24	35
40004159	2	11	40004229	26	49	40004293	24	28
40004160	2	44	40004232	26	52	40004294	24	32
40004161	2	15	40004234	24	37	40004296	24	36
40004163	30	71	40004235	24	26	40004297	24	66
40004164	30	70	40004236	24	43	40004297	26	66
40004167	10	27	40004238	24	27	40004298	24	67
40004169	10	28	40004240	26	50	40004298	26	67
40004170	10	20	40004243	26	63	40004299	28	69
40004171	10	19	40004244	24	41	40004299	30	69
40004179	10	36	40004245	24	42	40004299	36	52
40004179	32	46	40004246	26	64	40004301	28	46
40004180	14	18	40004247	24	40	40004306	28	39
40004182	10	2	40004248	24	38	40004308	30	51
40004183	10	6	40004249	26	62	40004309	30	48
40004184	10	5	40004250	26	65	40004311	28	36
40004185	10	4	40004252	6	22	40004321	30	50
40004186	14	8	40004252	24	39	40004324	30	81

NUMERICAL INDEX OF PARTS

PART NO	PAGE	REF NO.	PART NO	PAGE	REF NO.	PART NO	PAGE	REF NO.
40004327	28	68	40004394	32	17	40005397	6	17
40004327	30	68	40004395	32	29	40005397	46	26
40004327	36	53	40004396	32	18	40005398	46	27
40004328	30	73	40004397	32	19	40005399	8	51
40004329	28	22	40004398	32	20	40005399	46	28
40004330	28	1	40004400	24	17	40005400	48	50
40004331	28	23	40005371	22	8	40005401	38	20
40004332	28	2	40005371	46	32	40005401	46	15
40004335	28	18	40005372	16	1	40005403	2	46
40004343	28	27	40005372	46	33	40005403	48	52
40004344	28	28	40005373	16	30	40005404	38	25
40004345	30	52	40005373	46	34	40005405	46	16
40004346	30	77	40005374	24	46	40005405	54	2
40004347	30	53	40005374	46	35	40006261	6	1
40004348	30	78	40005375	28	31	40006261	46	38
40004349	30	80	40005375	46	36	40006263	6	2
40004351	56	23·24	40005377	22	15	40006264	6	3
40004353	56	23·24	40005377	46	40	40006265	6	23
40004360	34	41	40005378	16	2	40006300	10	42
40004361	34	42	40005378	46	41	40006306	34	1
40004362	34	43	40005379	16	44	40006307	10	44
40004363	34	44	40005379	46	42	40006312	14	23
40004364	36	50	40005380	24	47	40006314	4	49
40004367	2	24	40005380	46	43	40006315	32	43
40004373	22	23	40005381	28	19	40006317	14	21
40004374	22	24	40005381	46	44	40006320	14	25
40004375	22	6	40005382	32	15	40006321	14	30
40004376	22	14	40005382	48	47	40006322	14	22
40004377	22	7	40005385	40	68	40006323	50	36
40004378	22	2	40005388	38	33	40006335	20	13
40004379	22	3	40005388	46	22~24	40006335	56	10
40004380	22	16	40005390	40	58	40006339	20	7
40004381	32	1	40005390	46	18~20·53	40006339	56	11
40004382	32	3	40005391	38	31	40006340	56	5
40004382	46	37	40005391	46	22~24	40006345	56	1
40004383	32	6	40005392	38	32	40006349	56	2
40004384	32	2	40005392	46	22~24	40008339	10	40
40004385	32	11	40005393	38	35	40008423	10	47
40004386	32	13	40005393	46	8·17	40008426	12	48
40004387	32	10	40005394	38	36	40008638	20	2
40004389	32	42	40005394	46	9	40008638	56	29
40004390	32	22	40005395	38	37	40008646	20	1
40004391	32	24	40005395	46	10	40008647	20	5
40004392	32	33	40005396	38	38	40008658	20	6
40004393	32	28	40005396	46	11	40008671	22	5

NUMERICAL INDEX OF PARTS

PART NO	PAGE	REF NO.	PART NO	PAGE	REF NO.	PART NO	PAGE	REF NO.
40008889	50	14	40022363	12	49	40101641	24	4
40008890	50	13	40023432	54	14	40101642	24	8
40008977	4	57	40027553	30	83-84	40101645	28	3
40008978	4	58	40027554	30	83-84	40101646	28	4
40009037	4	72	40028015	10	22	40101648	28	8
40009148	50	4	40028015	46	25	40101649	28	9
40009788	32	4	40028634	26	48	40108752	10	33
40009938	44	1	40028636	26	61	40108753	14	19
40009938	48	54-55	40028682	20	10	40108754	16	6
40010434	10	29	40028682	56	7	40110933	16	14
40010434	16	15	40029613	28	33	40112711	20	11
40010435	10	31	40029904	24	1	40112711	56	8
40010435	16	16	40035024	42	13	40119461	2	22
40010436	10	30	40037008	8	52	40119461	46	39
40010510	6	19	40040276	32	27	40121890	10	37
40010511	6	6	40049424	50	25	40122600	2	21
40010512	6	20	40051473	10	15	40141850	32	26
40010514	6	5	40051474	10	16	A3906010000	44	5
40010522	6	8	40052047	50	24	A39500100A0	44	11
40011143	6	27	40059371	48	54-55	B1116804000	4	65
40011144	6	34	40075297	16	4	B1414232000	22	28
40011145	6	36	40080072	10	39	B1509761000	18	78
40011146	6	37	40081403	32	16	B1509761000	20	4
40011327	30	63	40083369	12	50	B1509761000	56	31
40011355	14	31	40085784	52	2	B151077100B	18	79
40011517	10	1	40085785	52	3	B151077100B	20	3
40012038	40	87	40085786	52	4	B151077100B	56	30
40012038	46	8-17	40085787	52	5	B1511771000B	18	77
40015674	26	54	40085788	52	6	B1511772000A	18	71
40015702	24	31	40085789	52	7	B1512761000	18	80
40015733	56	25	40085790	52	8	B1512761000	56	14
40015802	56	26	40085791	52	9	B1552781000A	18	82
40017810	56	32	40085792	52	10	B1552781000A	58	12
40019551	16	45	40085793	52	11	B1552782000	58	13
40020010	56	27	40085794	52	12	B15527820A0	50	35
40020011	56	28	40085795	52	13	B1552783000	58	14
40020012	56	34	40085796	52	16	B1623180000	28	34
40020013	56	36	40094012	54	19	B1811771000	14	28
40020014	56	33	40096325	52	14	B2583210D00	34	39
40020310	18	67	40096326	52	17	B2702047A00	58	7
40021933	6	38	40096327	52	19	B2702047F00	58	1
40021998	28	32	40096354	52	1	B2702047I00	58	3
40022121	16	11	40097040	54	13	B2702047K00A	50	18-21-22-33
40022322	30	49	40101638	24	7	B2702047K00A	58	2
40022323	28	47	40101638	28	12			

NUMERICAL INDEX OF PARTS

PART NO	PAGE	REF NO.	PART NO	PAGE	REF NO.	PART NO	PAGE	REF NO.
B2702047L00A	32	32	D1508771K00A	58	15	HX003390000	2	19
B2702047L00A	50	18·21·22-	D1508772K00	18	84	HX003390000	30	75
		·33	D1508772K00	58	16	HX003390000	38	18
B2702047L00A	58	4	D1508773K00	58	17	HX00339000C	30	74
B2702047M00A	50	18·21·22-	D1511771KA0A	18	76	HX004070000	38	28
		·33	D1511771KA0A	58	19	HX00410000A	38	34
B2702047M00A	58	6	D1511772KA0	18	70	HX005110000	40	53
B2702047N00	58	8	D1511772KA0	58	20	J106600000D	50	6·38
B2702047P00	58	9	D1511773KA0	58	21	J1067000000	50	19
B2702047Q00A	50	18·21·22-	D3162555B00	8	54	M1011580000	42	10
		·33	D6056555B00	4	61	M1031580000	42	9
B2702047Q00A	58	10	D6056555B00	50	11	M10315800A0	42	8
B2702047S00A	58	11	D8113555B00	34	27	M1032580000	42	11
B2702047V00	58	5	D8204555D00	34	6	M300451100A	40	69
B2702210000	6	24	E2002855000	4	60	M3801476000	38	6
B2703210000	6	25	E3724715000	4	66	M4001461000	38	41
B3013141H0A	28	35	E9567319000	40	55	M4002461000	38	42
B3120372000	50	26	E9607603000	40	88	M4004461000	38	43
B3214047000	8	64	EA9500B0100	4	84	M4005461000	38	44
B3214047000	54	6	EA9500B0100	8	56	M4007351000	38	45
B3216047000	54	8	EA9500B0100	24	3	M4206461000	38	10
B3218232000	54	7	EA9500B0100	54	23	M90175800A0	40	57
B3219232000	54	5	G50011980A0A	46	30	M90175800A0	46	18~20·53
B3221771000	54	4	G50011980A0A	54	1	M90195800A0	6	7
B32217710A0	54	3	G8039870000	14	14	M90195800A0	40	61
B81017710A0	34	7	GCT02906000	50	6·38	M90245800A0	40	59
B81085550A0	34	19	GPF060600A0	34	28	M90245800A0	46	18~20·53
B8153771000	34	26	GPF06080000	34	29	M90345800A0	46	21
B9107761000	50	23	GPK510010B0	54	12	M90355800A0	40	60
BME01100000	40	66·67	HA004250000	40	82	M90355800A0	48	18~20·53
BME03200000	40	66·67	HD000570000	34	45	MAO11532000	40	74
BT0400251EB	54	20	HD00057000A	32	12	MAO11532000	54	22
CM200100001	38	26	HD00057000A	46	45	MAZ16013000	26	69
CM300100003	40	63	HF00130315S	40	70~72	MDFRX1600C0	50	20
CM300100401	40	65	HF0013050P0	40	70~72	MDP5J0B1100	22	37
CM300200001	2	27	HF003000200	40	70~72	MDP5J0B1102	50	5
CM300200001	56	35	HG007470000	42	6	MTSHJ100003	40	76
CM300200003	4	68	HM0003800A0	4	48	NM3040520SC	38	23
CM300400601	40	64·89	HM000480010	38	21	NM6030001SD	4	54
CM300400701	40	64·89	HM000550010	2	47	NM6040000SN	24	5
CM301300001	2	26	HN002460000	40	90	NM6040001SD	28	66
CM600100201	50	37	HX00150000A	2	45	NM6040001SD	30	66
CQ202000000	14	27	HX00151000A	8	57	NM6050001SE	52	24
CS0800881TP	24	25	HX00151000A	40	49	NM6050001SP	22	22
CS1201171TP	32	47	HX00188000D	40	51	NM6050001SP	24	72
CS1501181TP	22	17						

NUMERICAL INDEX OF PARTS

PART NO	PAGE	REF NO.	PART NO	PAGE	REF NO.	PART NO	PAGE	REF NO.
NM6050001SP	26	72	SD0800326TP	16	68	SM4041050TP	30	58
NM6050001SP	28	30	SD0800326TP	18	68	SM4051055SP	2	16
NM6060001CP	34	40	SD0800406TP	24	22	SM4051405SE	52	23
NM6060001SD	4	53	SD0801006TP	28	67	SM4051655SP	2	12
NM6060001SD	50	30	SD0801006TP	30	67	SM4051655SP	22	11
NM6060002SD	32	30	SD0801506TP	24	23	SM5030355SE	30	65
NM6080001SC	40	84	SD1000646TP	36	51	SM5040550TP	16	28
NM6080002SC	40	81	SK3311600SC	34	5	SM5040655SN	6	47
NM6080003SC	32	5	SK3412001SE	54	21	SM5040655SN	36	48
NM6080721SE	34	30	SK3413201SE	42	14	SM6030500SN	22	27
NM6100001SD	10	8	SK3452000SC	54	10	SM6030802TP	32	7
NM6120001SE	34	20	SK3482001SE	36	54	SM6031402TP	4	59
NS6110310SP	8	61	SK3512001SE	40	75	SM6040450TP	28	76
NS6110310SP	54	9	SL4030691SC	44	12	SM6040450TP	30	76
PF0551060A0	54	15	SL4030881SC	44	20	SM6040450TP	56	6
PF902005000	54	16	SL4031081SC	16	60	SM6040600SP	24	59
PJ025100003	54	17	SL4031081SC	18	60	SM6040600SP	26	59
PV015122000	54	18	SL4031081SC	22	9	SM6040600SP	28	59
RC0560711KP	6	44	SL4031081SC	26	51	SM6040600SP	30	59
RC1700001KP	6	4	SL4031081SC	28	13	SM6040602TP	2	73
RC2791218KP	14	7	SL4031091SC	32	14	SM6040602TP	4	73
RC3781518KP	10	3	SL4031091SC	34	46	SM6040602TP	8	50
RE0300000K0	24	71	SL4033091SC	38	24	SM6040602TP	16	37
RE0300000K0	26	71	SL4040881SC	38	17	SM6040602TP	24	58
RE0400000K0	6	45	SL4040891SC	38	52	SM6040602TP	26	58
SB110000600	14	2	SL4040891SC	40	52	SM6040602TP	28	57
SB110000700	10	11	SL4040891SC	50	27	SM6040602TP	30	57
SB112001600	14	1	SL4041081SC	40	62	SM6040602TP	50	28
SB115000200	14	3	SL4041091SC	38	30	SM6040750TP	22	26
SB115001500	14	4	SL4041681SF	40	50	SM6040802TP	16	61
SB120000800	10	34	SL4042581SC	2	23	SM6040802TP	18	61
SB120002700	10	14	SL4043591SC	38	22	SM6040802TP	20	14
SB307000200	18	87	SL6031042TN	34	47	SM6040802TP	24	12
SB408000100	18	88	SL6040892TN	2	63	SM6040802TP	28	15
SD0250101SP	28	42	SL6040892TN	4	63	SM6040802TP	32	34
SD0400506TP	32	39	SL6040892TN	30	72	SM6040860TP	6	10
SD0500166TP	28	43	SL6040892TN	50	34	SM6040860TP	24	11
SD0500167TP	28	44	SL9082091SE	34	22	SM6041002TP	16	38
SD0600266TP	26	57	SM0050801SC	8	53	SM6041002TP	22	10
SD0600326TP	24	21	SM0860400SN	6	9	SM6041200SP	24	13
SD0790203SP	18	83	SM1030400SP	30	82	SM6041200SP	30	60
SD0790203SP	20	9	SM1043001SP	4	64	SM6041202TP	10	38
SD0790203SP	56	21	SM4021201SC	4	82	SM6041602TP	18	62
SD0800296TP	28	62	SM4030455SN	30	56	SM6050652TP	2	18
SD0800296TP	30	62	SM4030801SF	38	46	SM6050652TP	24	14

NUMERICAL INDEX OF PARTS

PART NO	PAGE	REF NO.	PART NO	PAGE	REF NO.	PART NO	PAGE	REF NO.
SM6050652TP	36	49	SM8060552TP	16	69	WP0531001SC	52	22
SM6050800SP	18	63	SM8060552TP	18	69	WP0550800SP	26	56
SM6050800SP	20	12	SM8060612TP	32	37	WP0612056SD	4	55
SM6050800SP	24	15	SM80606A2TP	2	38	WP0612056SD	50	29
SM6050800SP	56	9	SM80606A2TP	6	14	WP0621046SP	10	12
SM6050802TP	2	71	SM80606A2TP	10	18	WP0671016SE	34	33
SM6050802TP	4	71	SM80606A2TP	14	15	WP0841601SC	38	83
SM6050802TP	6	11	SM80606A2TP	16	26	WP0841601SC	40	83
SM6050802TP	24	60	SM80606A2TP	22	19	WP0852086SC	40	78
SM6050802TP	26	60	SM80608A2TP	10	43	WP0871602SE	34	34
SM6050802TP	30	61	SM8080812TP	14	24	WP1302501SE	34	17
SM6051002TP	18	64	SM8081652TP	10	21	WP1612616SE	52	15
SM6051202TP	18	65	SM9040700SP	28	17	WS0410002KP	6	16
SM6051202TP	26	68	SM9040700SP	32	38	WS0510002KN	52	21
SM6051202TP	32	40	SM9040800SP	6	15	WS0621210KR	34	35
SM6052002TR	10	23	SM9061203SE	34	31	WS0820002KR	38	80
SM6061002TP	2	36	SM9061403CP	10	13	WS0820002KR	40	80
SM6061002TP	16	23	SM9082023SE	34	32	WS0861410KR	34	36
SM6061002TP	22	20	SS6060210SP	18	81	WS1253010KN	34	18
SM6061002TP	32	9	SS6060210SP	20	8			
SM6061002TP	50	17	SS6060210SP	56	20			
SM6061200SP	32	36	SS6111440SP	10	26			
SM6061202TP	32	35	SS7090520SP	4	83			
SM6061802TP	16	24	SS7110570SP	50	16			
SM6061802TP	22	12	SS7110840SP	8	55			
SM6062502TP	12	51	SS8660612TP	56	4			
SM6067052TP	2	37	ST4031051SN	42	12			
SM6067052TP	50	9	ST9053511SR	34	2			
SM6083002TN	38	7	SV4030601SR	40	48			
SM6084002TN	40	77	TA0550604R0	2	28			
SM6104352TP	10	10	TA0550604R0	44	15			
SM8030412TP	6	13	TA0750404R0	2	29			
SM8040802TP	8	49	TA0850604R0	4	67			
SM8040802TP	40	47	TA1050504R0	2	32			
SM8050412TP	16	17	TA1120804R0	2	33			
SM8050412TP	24	19	TA1250406R0	2	34			
SM8050412TP	28	16	TA1550902R0	2	35			
SM8050502TP	8	48	WP0430800SC	30	85			
SM8050502TP	14	32	WP0430801SC	24	30			
SM8050502TP	16	85	WP0430801SC	28	26			
SM8050502TP	18	85	WP0430801SC	32	31			
SM8050502TP	22	18	WP0431005SP	26	53			
SM8050502TP	24	20	WP0431005SP	28	37			
SM8050502TP	32	41	WP0450826SC	6	46			
SM8050602TP	18	66	WP0451016SP	28	38			